

Ref #	Part Number	Qty	S/P/F	Description
1	710-1017	1	/P	Hex Screw, 1/4-20 x.625
2	786-0168	1		Shift Cover
3	686-0095	1	S	Crank Shift Assembly
4	712-04063	1	/P	Hex Lock Nut,5/16-18
5	786-0117	1	S	Shift Cover Mounting Bracket
6	710-3008	1	/P	Hex Cap Screw, 5/16-18 x.75
7	710-1007	1	/P	Hex Washer Screw, 3/8 -16 x 1.5
8	619-0009A	1	S	Frame Counterweight
9	642-0015	1	S	Tine Assembly, Left
9	642-0016	1	S	Tine Assembly, Right
10	711-0415	1	S	Clevis Pin
11	714-0149B	1	S	Cotter Pin
12	634-04233	1	S	Complete Wheel Assembly
13	710-0606	1	/P	Hex Head Screw, 1/4-20
14	734-1796	1	S	Tire Only, 14"
14	634-04218	1		Rim Only, 6.0 x 3.25
15	712-04064	1	/P	Flange Lock Nut, 1/4-20
16	710-1090	1	/P	Flange Screw, 5/16-18 x 1.25
17	686-0031A	1	S	Belt Keeper Bracket Assembly
18	736-0119	1	S	Lock Washer, 5/16
19	710-0237	1	/P	Hex Cap Screw, 5/16-24 x.625
20	756-0971	1		Inner Pulley Half
21	756-0972	1		Outer Pulley Half
22	754-0438	1	S	V-Belt
23	756-0405	1	/P	Flat Idler
24	738-0899	1		Bolt, 5/16-18 x1/4-28 x 2.35
25	736-0256	1	S	Flat Washer, .635 ID x.930 OD
26	756-0634	1		Flat Pulley
27	736-0105	1	/P	Spring Washer, .401 ID x.870 OD
28	712-0379	1	/P	Flange Lock Nut, 3/8 -24
29	736-0452	1	S	Bell Washer, .396 ID x 1.140 OD
30	710-0152	1	S	Hex Cap Screw, 3/8 -24 x 1.0
31	786-0080	1	S	Idler Bracket
32	710-0723	1	/P	Hex Cap Screw, 3/8 -16 x 1.25
33	738-0876	1	S	Shoulder Nut,7/16-20
34	736-3020	1	S	Flat Washer, .271 ID x.630 OD
35	786-0100	1		Belt Cover
36	712-0392	1	/P	Hex Lock Nut, 1/4
37	786-0107	1		Cable Bracket
38	737-0298	1	/P	Oil Drain Extension
39	737-0132	1		End Cap

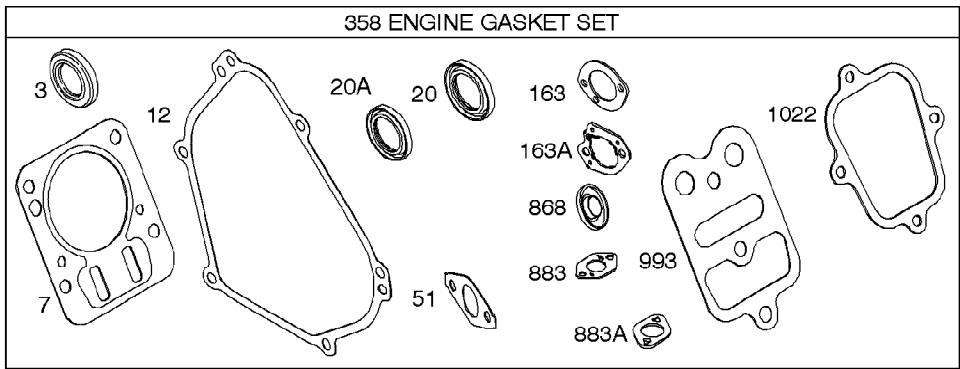
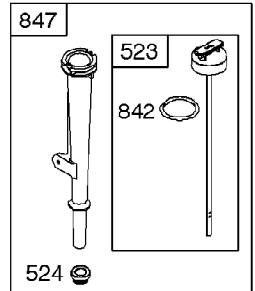
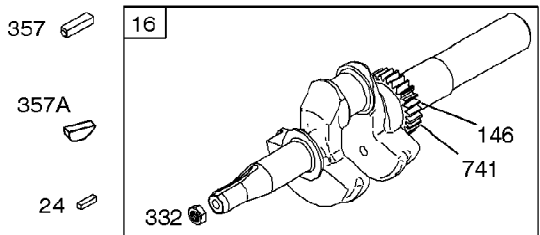
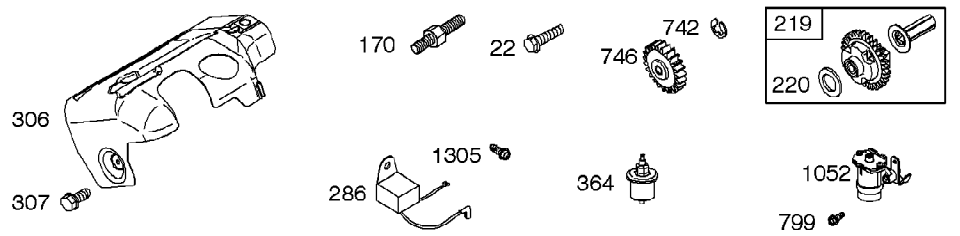
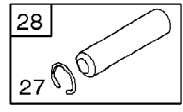
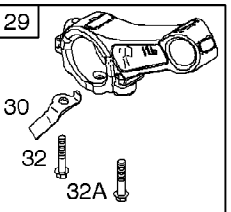
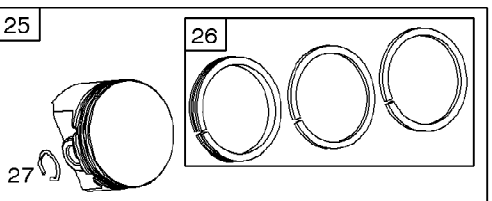
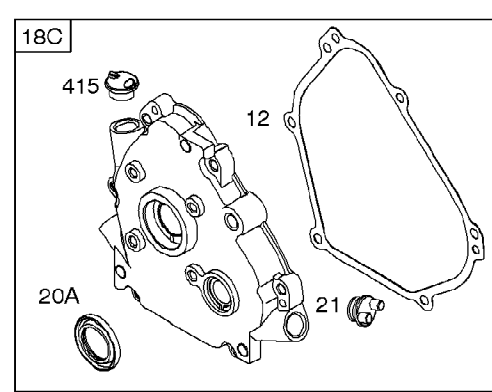
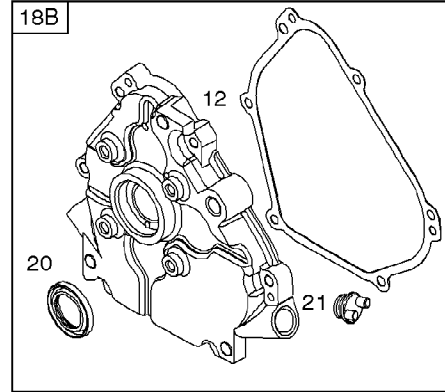
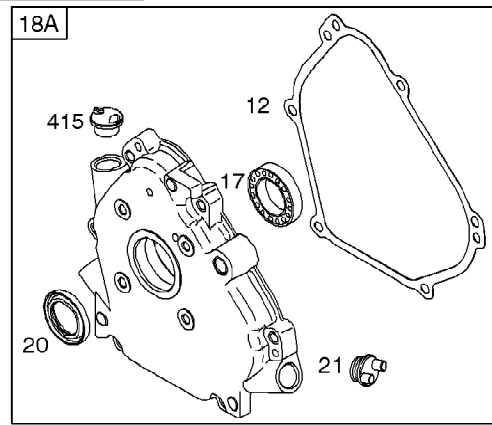
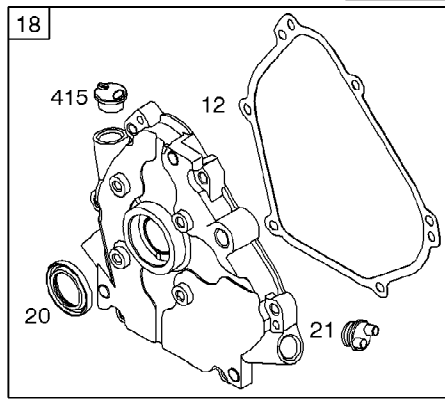
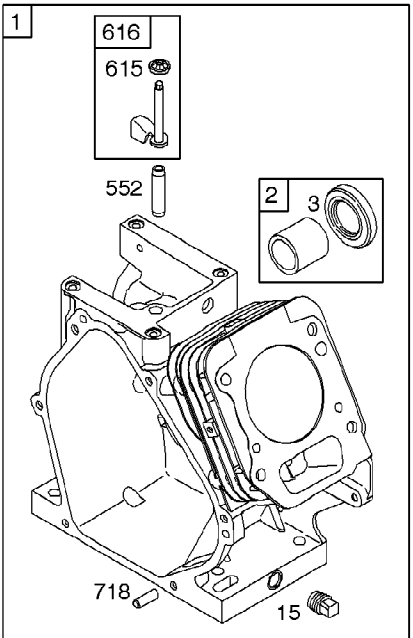
1319 WARNING LABEL

REQUIRED when replacing parts with warning labels affixed.

1058 OPERATOR'S MANUAL

1330 REPAIR MANUAL

1019 LABEL KIT



Ref #	Part Number	Qty	S/P/F	Description
1	BS-699510	1		Cylinder Assembly
2	BS-399269	1	/P	Kit-Bushing/Seal (Magneto Side)
3	BS-299819S	1		Seal-Oil (Magneto Side)
5	BS-699486	1		Head-Cylinder
7	BS-698210	1		Gasket-Cylinder Head
11	BS-692600	1		Tube-Breather (Flat Panel Air Cleaner)
11A	BS-693647	1		Tube-Breather (High Mount Air Cleaner)
11B	BS-790632	1		Tube-Breather (Ultra Low Air Cleaner)
12	BS-699485	1		Gasket-Crankcase
13	BS-699482	1		Screw (Cylinder Head)
15	BS-691686	1	/P	Plug-Oil Drain (Square Head)
15C	BS-792750	1		Plug-Oil Drain
16	BS-699445	1		Crankshaft
16	BS-699449	1		Crankshaft
17	BS-692517	1	/P	Bearing-Ball
17B	BS-99158	1		Bearing-Ball
18	BS-699804	1		Cover-Crankcase
20	BS-692550	1		Seal-Oil (PTO Side)
21	BS-281658S	1	/P	Cap-Oil Fill
22	BS-699478	1		Screw (Crankcase Cover/Sump)
23	BS-699488	1		Flywheel
24	BS-222698S	1	/P	Key-Flywheel
25	BS-791968	1		Piston Assembly (Standard)
25	BS-791326	1		Piston Assembly (.020" Oversize)
26	BS-791969	1		Ring Set (Standard) (Used After Code 05030800).
26	BS-499631	1		Ring Set (Standard) (Used Before Code Date 05030900).
26	BS-791324	1		Ring Set (.020" Oversize) (Used After Code 05030800).
26	BS-692786	1		Ring Set (.020" Oversize) (Used Before Code Date 05030900).
27	BS-691866	1	/P	Lock-Piston Pin
28	BS-499423	1		Pin-Piston
29	BS-690124	1		Rod-Connecting
30	BS-791584	1		Dipper-ConnectingRod
32	BS-691664	1		Screw (Connecting Rod)
32A	BS-695759	1		Screw (Connecting Rod)
33	BS-499642	1		Valve-Exhaust
34	BS-499641	1	S	Valve-Intake
35	BS-691304	1		Spring-Valve (Intake)
36	BS-691304	1		Spring-Valve (Exhaust)
37	BS-699661	1		Guard-Flywheel
40	BS-692194	1		Retainer-Valve
45	BS-690977	1	/P	Tappet-Valve
46	BS-693404	1		Camshaft
51	BS-692555	1		Gasket-Intake
55	BS-691422	1		Housing-Rewind Starter (Rewind Starter Parts Used With 3MM Diameter Starter Rope)

Ref #	Part Number	Qty	S/P/F	Description
55	BS-791848	1		Housing-Rewind Starter (Rewind Starter Parts Used With 5MMDiameter Starter Rope)
58	BS-693389	1		Rope-Starter (Rewind Starter Parts Used With 3MM Diameter Starter Rope)
	BS-66574	1		Rope-Starter (Rewind Starter Parts Used With 5MMDiameter Starter Rope)
60	BS-490652	1		Grip-Starter Rope (2 Piece)
60A	BS-281434S	1	/P	Grip-Starter Rope
65	BS-699228	1		Screw (Rewind Starter)
78	BS-699205	1		Screw (Flywheel Guard)
79	BS-694511	1		Case-Gear Reduction (Used Before Code Date 06051700).
79A	BS-792746	1		Case-Gear Reduction (Used After Code Date 06051600).
80	BS-792755	1		Gasket-Gear Case
82	BS-690369	1		Screw (Gear Reduction Case) (Used Before Code Date 06051700).
82A	BS-790197	1		Screw (Gear Reduction Case) (Used Before Code Date 06051700).
82B	BS-792753	1		Screw (Gear Reduction Case) (Used After Code Date 06051600).
83	BS-690374	1		Shaft-Auxiliary Drive (Used Before Code Date 06051700).
83A	BS-792756	1		Shaft-Auxiliary Drive (Used After Code Date 06051600).
84	BS-691121	1		Plug-Breather
84A	BS-792759	1		Plug-Breather
85	BS-692551	1		Screw (Gear Cover to Gear Reduction) (Used Before Code Date 06051700).
85A	BS-690711	1		Screw (Gear Cover to Gear Reduction) (Used After Code Date 06051600).
86	BS-690608	1		Cover-Gear (Used Before Code Date 06051700).
86A	BS-792748	1		Cover-Gear (Used After Code Date 06051600).
87	BS-691582	1		Seal-Gear Reduction (Used Before Code Date 06051700).
87A	BS-792752	1		Seal-Gear Reduction (Used After Code Date 06051600).
88	BS-691600	1		Gasket-Gear Reduction Cover
88A	BS-792760	1		Gasket-Gear Reduction Cover
95	BS-691636	1	/P	Screw (Throttle Valve)
97	BS-690024	1		Shaft-Throttle
98	BS-398185	1		Kit-Idle Speed (Carburetor)
104	BS-691242	1		Pin-Float Valve

Ref #	Part Number	Qty	S/P/F	Description
108	BS-692567	1		Valve-Choke
109	BS-690023	1		Shaft-Choke
109A	BS-693628	1		Shaft-Choke
109C	BS-790624	1		Shaft-Choke
117	BS-498978	1		Jet-Main (Standard)
118	BS-498975	1		Jet-Main (High Altitude)
121	BS-696998	1		Kit-Carburetor Overhaul
122	BS-693749	1		Spacer-Carburetor
125	BS-791077	1	/P	Carburetor
127	BS-691739	1		Plug-Welch
127A	BS-691585	1		Plug-Welch
130	BS-691181	1		Valve-Throttle
133	BS-398187	1		Float-Carburetor
134	BS-398188	1	/P	Kit-Needle/Seat
137	BS-693981	1	/P	Gasket-Float Bowl
146	BS-690979	1	/P	Key-Timing
155	BS-698214	1		Plate-Cylinder Head
161	BS-699207	1		Base-Air Cleaner (Flat Panel Air Cleaner)
161A	BS-790631	1		Base-Air Cleaner (Ultra Low Air Cleaner)
163	BS-696024	1		Gasket-Air Cleaner(Flat Panel Air Cleaner)
163A	BS-792870	1		Gasket-Air Cleaner (High Mount)
170	BS-699818	1		Stud (Crankcase Cover)
186	BS-692317	1	/P	Connector-Hose
187	BS-791766	1	S	Line-Fuel (Cut to Required Length)
187A	BS-791867	1		Line-Fuel (Molded)
187B	BS-791874	1		Line-Fuel (Molded)
187C	BS-791866	1		Line-Fuel (Molded)
188	BS-699479	1		Screw (Control Bracket)
190	BS-699220	1		Screw (Fuel Tank)
192	BS-694543	1	/P	Adjuster-Rocker Arm
209	BS-692571	1		Spring-Governor
209A	BS-691278	1		Spring-Governor
219	BS-693578	1		Gear-Governor
220	BS-691724	1		Washer (Governor Gear)
222	BS-699589	1		Bracket-Control (Used Before Code Date 06051500).
222C	BS-699590	1		Bracket-Control (Used Before Code Date 06051500).
222D	BS-793107	1		Bracket-Control (Used After Code Date 06051400).
222F	BS-793100	1		Bracket-Control (Used After Code Date 06051400).
227	BS-692573	1		Lever-Governor Control
238	BS-691300	1	/P	Valve-Cap
240	BS-298090S	1	/P	Filter-Fuel
240A	BS-694485	1		Filter-Fuel
265	BS-691024	1	/P	Clamp-Casing
267	BS-699492	1		Screw (Casing Clamp)
268	BS-691025	1		Casing-Control Wire (Cut to Required Length)

21AA412A090 (2008)
Engine Assembly 1

Page 7 of 58

Ref #	Part Number	Qty	S/P/F	Description
269	BS-691026	1		Wire-Control (Cut to Required Length)
270	BS-691027	1		Nut (Control Wire Casing)
271	BS-691028	1		Lever-Control
271A	BS-694256	1		Lever-Control
276	BS-271716	1		Washer-Sealing
281	BS-793122	1		Panel-Control
286	BS-698611	1		Module-Oil Sensor
287	BS-699629	1		Screw (Dipstick Tube)
300	BS-693593	1		Muffler
300A	BS-699231	1		Muffler
300E	BS-791595	1		Muffler
304	BS-699598	1		Housing-Blower
305	BS-699480	1	S	Screw (Blower Housing)
306	BS-693610	1		Shield-Cylinder
307	BS-699483	1		Screw (Cylinder Shield)
309	BS-694504	1		Motor-Starter
310	BS-690323	1		Screw (Starter Motor)
311	BS-497608	1		Brush Set
317	BS-695494	1		Cover-Starter
332	BS-79359	1		Nut (Flywheel)
333	BS-792723	1		Armature-Magneto
334	BS-699477	1		Screw (Magneto Armature)
337	759-3336	1	/P	Plug-Spark (Resistor)
337	BS-691043	1	/P	Plug-Spark (EMS)
347	BS-697854	1		Switch-Rocker
356	BS-693651	1		Wire-Stop
356A	BS-692390	1	/P	Wire-Stop
356B	BS-692602	1		Wire-Stop
356C	BS-695630	1		Wire-Stop
356D	BS-695283	1		Wire-Stop
356E	BS-695814	1		Wire-Stop
356F	BS-697397	1		Wire-Stop
358	BS-791797	1		Gasket Set-Engine
363	BS-19203	1		Puller-Flywheel
364	BS-695693	1		Terminal-Oil Plug
365	BS-699484	1		Screw (Carburetor)
383	BS-19374S	1		Wrench-Spark Plug
415	BS-693463	1		Plug
415A	BS-792749	1		Plug
425	BS-699208	1		Screw (Air Cleaner Cover)
425A	BS-699492	1		Screw (Air Cleaner Cover)
427	BS-694255	1		Nut(Control Bracket)
445	BS-491588S	1	/P	Filter-Air Cleaner Cartridge (Flat Panel)
445A	BS-697029	1	/P	Filter-Air Cleaner Cartridge (High Mount)
455	BS-692591	1		Cup-Flywheel
456	BS-692299	1		Plate-Pawl Friction
459	BS-281505S	1	/P	Pawl-Ratchet
467	BS-691668	1		Knob-Air Cleaner
474	BS-694457	1		Alternator
504	BS-694254	1		Washer Set-Friction
505	BS-691251	1		Nut (Governor Control Lever)
510	BS-499308	1		Drive-Starter
513	BS-692024	1		

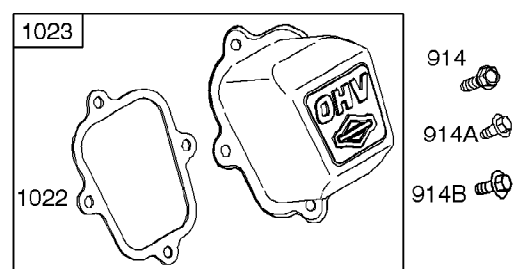
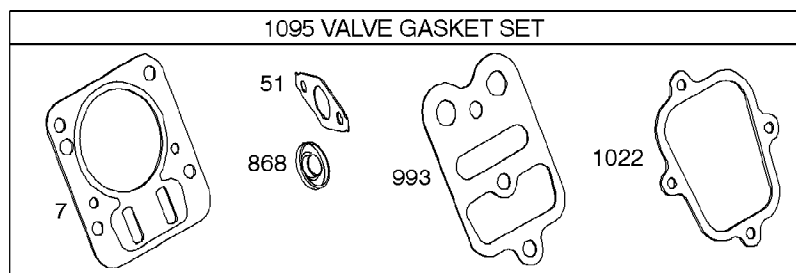
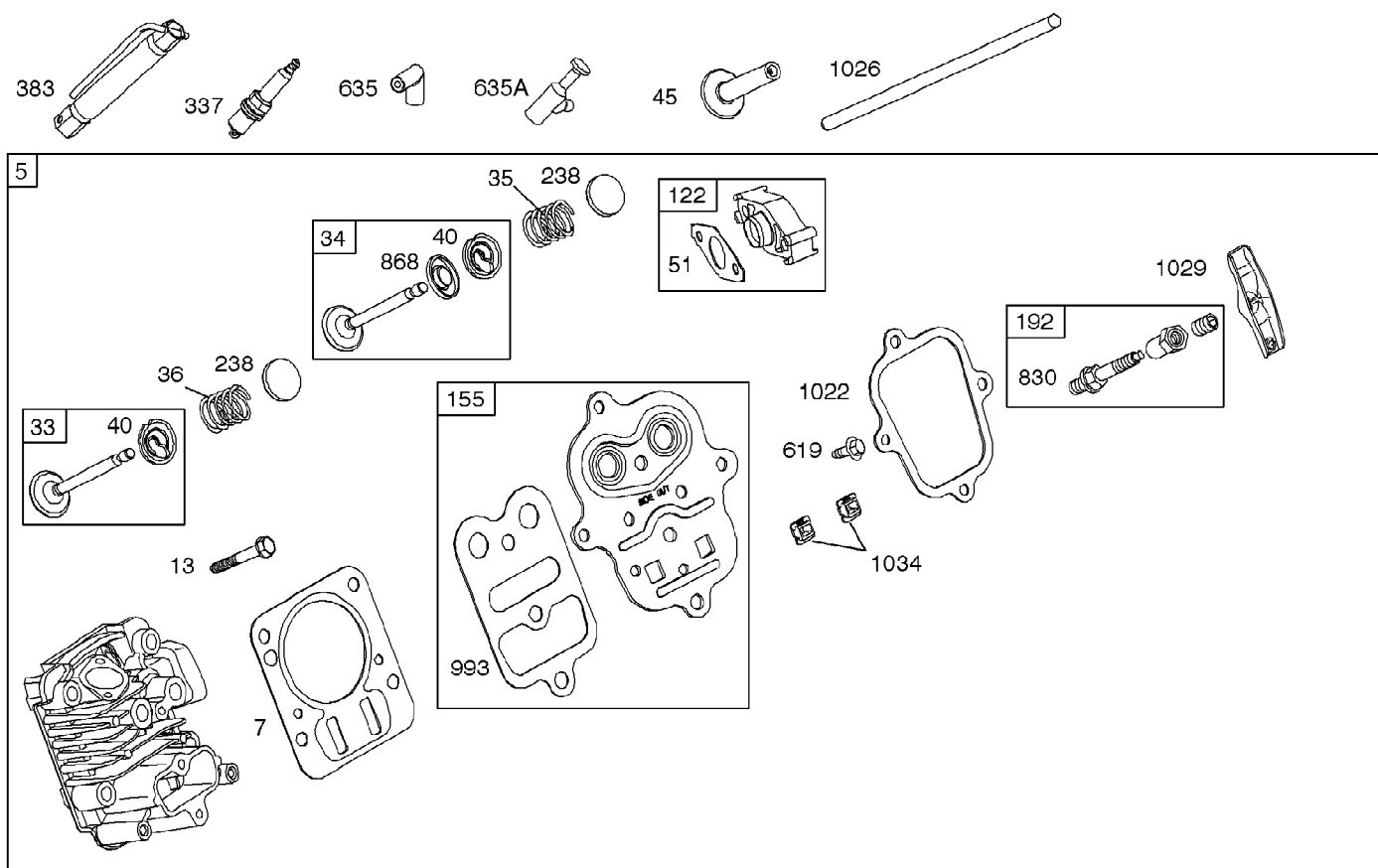
21AA412A090 (2008)
Engine Assembly 1

Page 8 of 58

Ref #	Part Number	Qty	S/P/F	Description
523	BS-790546	1		Dipstick
524	BS-281370S	1	/P	Seal-Dipstick Tube
544	BS-692966	1		Armature-Starter
552	BS-692346	1		Bushing-Governor Crank
562	BS-691119	1		Bolt (Governor Control Lever)
575	BS-692303	1		Switch-Starting
597	BS-691696	1	/P	Screw (Pawl Friction Plate)
601	BS-791850	1	/P	Clamp-Hose
608	BS-693394	1		Starter-Rewind (Rewind Starter Parts Used With 3MM Diameter Starter Rope)
608	BS-791670	1		Starter-Rewind (Rewind Starter Parts Used With 5MM Diameter Starter Rope)
613	BS-699209	1	S	Screw (Muffler)
613A	BS-699480	1	S	Screw (Muffler)
613B	BS-697812	1		Screw (Muffler)
615	BS-692576	1		Retainer-Governor Shaft
616	BS-692547	1		Crank-Governor
619	BS-699480	1	S	Screw (Cylinder Head Plate)
621	BS-692310	1	/P	Switch-Stop
632	BS-693408	1		Spring/Link-Mechanical Governor
633	BS-693867	1		Seal-Choke/Throttle Shaft
633A	BS-691321	1		Seal-Choke/Throttle Shaft
635	BS-692076	1	/P	Boot-Spark Plug
635A	BS-692927	1		Boot-Spark Plug
652	BS-699755	1		Screw (Support Bracket)
652A	BS-699480	1	S	Screw (Support Bracket)
663	BS-699206	1		Screw (Control Panel)
668	BS-694257	1		Spacer
675	BS-691261	1		Washer (Brush Retainer)
676	BS-393757	1	S	Deflector-Muffler
676A	BS-697816	1		Deflector-Muffler
676B	BS-395700	1		Deflector-Muffler
677	BS-690661	1	/P	Screw (Muffler Deflector)
677A	BS-699776	1		Screw (Muffler Deflector)
689	BS-691855	1	/P	Spring-Friction
692	BS-690572	1	/P	Spring-Detent
697	BS-790537	1	/P	Screw (Starter Motor) (Used After Code Date 04110800).
697	BS-699773	1	S	Screw (Used Before Code Date 04110900).
717	BS-693462	1		Bracket-Air Cleaner
718	BS-690959	1	/P	Pin-Locating
725	BS-792874	1		Shield-Heat
727	BS-698039	1		Cover-Starter Drive
728	BS-699632	1		Screw (Heat Shield)
732	BS-699200	1		Screw (Starter Drive Cover)
741	BS-695087	1		Gear-Timing
742	BS-692564	1		Retainer-E Ring
746	BS-790278	1		Gear-Idler
773	BS-694258	1		Retainer
783	BS-692353	1		Gear-Pinion
792	BS-694259	1		Bracket-Fixed Speed

Ref #	Part Number	Qty	S/P/F	Description
797	BS-691029	1		Nut (Brush Retainer)
799	BS-699202	1		Screw (Oil Sensor)
801	BS-694482	1		Cap-Drive
802	BS-691286	1		Cap-End
803	BS-693757	1		Housing-Starter
819	BS-699233	1		Screw (Muffler Bracket)
823	BS-699209	1	S	Screw (Muffler Adapter)
830	BS-694544	1		Stud-Rocker Arm
832	BS-693583	1		Guard-Muffler
832A	BS-697818	1		Guard-Muffler
832B	BS-696516	1		Guard-Muffler
832D	BS-791600	1		Guard-Muffler
836	BS-699203	1		Screw (Muffler Guard)
836A	BS-699632	1		Screw (Muffler Guard)
836B	BS-699209	1	S	Screw (Muffler Guard)
836C	BS-699234	1		Screw (Muffler Guard)
836D	BS-699204	1		Screw (Muffler Guard)
836E	BS-699755	1		Screw (Muffler Guard)
842	BS-691031	1	/P	Seal-O Ring (Dipstick Tube)
843	BS-695588	1		Sleeve-Lever
847	BS-790545	1		Dipstick/Tube Assembly
851	BS-493880S	1	/P	Terminal-Spark Plug
863	BS-699229	1		Bracket-Muffler
864	BS-699232	1		Adapter-Muffler
868	BS-692044	1	/P	Seal-Valve
875	BS-697030	1		Base-Air Cleaner (High Mount)
883	BS-691893	1	/P	Gasket-Exhaust
883A	BS-692237	1	/P	Gasket-Exhaust (Adapter Mounting)
890	BS-790203	1		Bracket-Support
914	BS-699480	1	S	Screw (Rocker Cover) (Bottom)
914A	BS-692557	1		Screw (Rocker Cover) (Top)
914B	BS-697551	1		Screw (Rocker Cover) (Center)
951	BS-790630	1		Lever-Choke
957	BS-792647	1	/P	Cap-Fuel Tank
958	BS-698180	1		Valve-Fuel Shut Off
961	BS-698304	1		Screw (Air Cleaner Bracket)
967	BS-493537S	1	/P	Filter-Pre Cleaner (Flat Panel)
967A	BS-273356S	1	/P	Filter-Pre Cleaner (High Mount)
968	BS-692584	1		Cover-Air Cleaner (Flat Panel Air Cleaner)
968A	BS-693460	1		Cover-Air Cleaner (High Mount)
968B	BS-791082	1		Cover-Air Cleaner (Ultra Low Air Cleaner)
971	BS-690370	1		Screw (Air Cleaner Base)
971A	BS-690349	1		Screw (Air Cleaner Base)
971B	BS-699629	1		Screw (Air Cleaner Base)
972	BS-694260	1	/P	Tank-Fuel
975	BS-493640	1	S	Bowl-Float
977	BS-792007	1		Gasket Set-Carburetor
993	BS-694088	1	/P	Gasket-Cylinder Head Plate
994	BS-790153	1		Arrester-Spark
1005	BS-692592	1		Fan-Flywheel
1005A	BS-794273	1		Fan-Flywheel
1019	BS-694852	1		Kit-Label
1022	BS-691890	1		Parts Cover

Ref #	Part Number	Qty	S/P/F	Description
1023	BS-499924	1		Cover-Rocker Arm
1026	BS-790287	1		Rod-Push
1029	BS-691230	1	/P	Arm-Rocker
1034	BS-691343	1	/P	Guide-Push Rod
1036		1		Label-Emissions (Available From Briggs & Stratton)
1051	BS-691265	1		Ring-Retaining
1052	BS-790141	1		Sensor-Oil
1054	BS-280275	1		Cable-Tie
1070	BS-699201	1		Screw (Flywheel Fan)
1090	BS-691293	1		Retainer-Brush
1095	BS-791798	1		Gasket Set-Valve
1119	BS-699772	1		Screw (Alternator)
1172	BS-699230	1		Screw (Fixed Speed Bracket)
1210	BS-498144	1	/P	Pulley/Spring Assembly (Pulley) (Rewind Starter Parts Used With 3MM Diameter Starter Rope)
1210	BS-791849	1		Pulley/Spring Assembly (Pulley) (Rewind Starter Parts Used With 5MM Diameter Starter Rope)
1211	BS-498144	1	/P	Pulley/Spring Assembly (Spring) (Rewind Starter Parts Used With 3MM Diameter Starter Rope)
1211	BS-791849	1		Pulley/Spring Assembly (Spring) (Rewind Starter Parts Used With 5MM Diameter Starter Rope)
1217	BS-691075	1		Washer (Starting Switch)
1225	BS-696198	1		Nut (Starting Switch)
1305	BS-699691	1		Screw (Oil Sensor Module)
1319	BS-794467	1		Label-Warning



Ref #	Part Number	Qty	S/P/F	Description
1	BS-699510	1		Cylinder Assembly
2	BS-399269	1	/P	Kit-Bushing/Seal (Magneto Side)
3	BS-299819S	1		Seal-Oil (Magneto Side)
5	BS-699486	1		Head-Cylinder
7	BS-698210	1		Gasket-Cylinder Head
11	BS-692600	1		Tube-Breather (Flat Panel Air Cleaner)
11A	BS-693647	1		Tube-Breather (High Mount Air Cleaner)
11B	BS-790632	1		Tube-Breather (Ultra Low Air Cleaner)
12	BS-699485	1		Gasket-Crankcase
13	BS-699482	1		Screw (Cylinder Head)
15	BS-691686	1	/P	Plug-Oil Drain (Square Head)
15C	BS-792750	1		Plug-Oil Drain
16	BS-699445	1		Crankshaft
16	BS-699449	1		Crankshaft
17	BS-692517	1	/P	Bearing-Ball
17B	BS-99158	1		Bearing-Ball
18	BS-699804	1		Cover-Crankcase
20	BS-692550	1		Seal-Oil (PTO Side)
21	BS-281658S	1	/P	Cap-Oil Fill
22	BS-699478	1		Screw (Crankcase Cover/Sump)
23	BS-699488	1		Flywheel
24	BS-222698S	1	/P	Key-Flywheel
25	BS-791968	1		Piston Assembly (Standard)
25	BS-791326	1		Piston Assembly (.020" Oversize)
26	BS-791969	1		Ring Set (Standard) (Used After Code 05030800).
26	BS-499631	1		Ring Set (Standard) (Used Before Code Date 05030900).
26	BS-791324	1		Ring Set (.020" Oversize) (Used After Code 05030800).
26	BS-692786	1		Ring Set (.020" Oversize) (Used Before Code Date 05030900).
27	BS-691866	1	/P	Lock-Piston Pin
28	BS-499423	1		Pin-Piston
29	BS-690124	1		Rod-Connecting
30	BS-791584	1		Dipper-ConnectingRod
32	BS-691664	1		Screw (Connecting Rod)
32A	BS-695759	1		Screw (Connecting Rod)
33	BS-499642	1		Valve-Exhaust
34	BS-499641	1	S	Valve-Intake
35	BS-691304	1		Spring-Valve (Intake)
36	BS-691304	1		Spring-Valve (Exhaust)
37	BS-699661	1		Guard-Flywheel
40	BS-692194	1		Retainer-Valve
45	BS-690977	1	/P	Tappet-Valve
46	BS-693404	1		Camshaft
51	BS-692555	1		Gasket-Intake
55	BS-691422	1		Housing-Rewind Starter (Rewind Starter Parts Used With 3MM Diameter Starter Rope)

Ref #	Part Number	Qty	S/P/F	Description
55	BS-791848	1		Housing-Rewind Starter (Rewind Starter Parts Used With 5MMDiameter Starter Rope)
58	BS-693389	1		Rope-Starter (Rewind Starter Parts Used With 3MM Diameter Starter Rope)
	BS-66574	1		Rope-Starter (Rewind Starter Parts Used With 5MMDiameter Starter Rope)
60	BS-490652	1		Grip-Starter Rope (2 Piece)
60A	BS-281434S	1	/P	Grip-Starter Rope
65	BS-699228	1		Screw (Rewind Starter)
78	BS-699205	1		Screw (Flywheel Guard)
79	BS-694511	1		Case-Gear Reduction (Used Before Code Date 06051700).
79A	BS-792746	1		Case-Gear Reduction (Used After Code Date 06051600).
80	BS-792755	1		Gasket-Gear Case
82	BS-690369	1		Screw (Gear Reduction Case) (Used Before Code Date 06051700).
82A	BS-790197	1		Screw (Gear Reduction Case) (Used Before Code Date 06051700).
82B	BS-792753	1		Screw (Gear Reduction Case) (Used After Code Date 06051600).
83	BS-690374	1		Shaft-Auxiliary Drive (Used Before Code Date 06051700).
83A	BS-792756	1		Shaft-Auxiliary Drive (Used After Code Date 06051600).
84	BS-691121	1		Plug-Breather
84A	BS-792759	1		Plug-Breather
85	BS-692551	1		Screw (Gear Cover to Gear Reduction) (Used Before Code Date 06051700).
85A	BS-690711	1		Screw (Gear Cover to Gear Reduction) (Used After Code Date 06051600).
86	BS-690608	1		Cover-Gear (Used Before Code Date 06051700).
86A	BS-792748	1		Cover-Gear (Used After Code Date 06051600).
87	BS-691582	1		Seal-Gear Reduction (Used Before Code Date 06051700).
87A	BS-792752	1		Seal-Gear Reduction (Used After Code Date 06051600).
88	BS-691600	1		Gasket-Gear Reduction Cover
88A	BS-792760	1		Gasket-Gear Reduction Cover
95	BS-691636	1	/P	Screw (Throttle Valve)
97	BS-690024	1		Shaft-Throttle
98	BS-398185	1		Kit-Idle Speed (Carburetor)
104	BS-691242	1		Pin-Float Valve

Ref #	Part Number	Qty	S/P/F	Description
108	BS-692567	1		Valve-Choke
109	BS-690023	1		Shaft-Choke
109A	BS-693628	1		Shaft-Choke
109C	BS-790624	1		Shaft-Choke
117	BS-498978	1		Jet-Main (Standard)
118	BS-498975	1		Jet-Main (High Altitude)
121	BS-696998	1		Kit-Carburetor Overhaul
122	BS-693749	1		Spacer-Carburetor
125	BS-791077	1	/P	Carburetor
127	BS-691739	1		Plug-Welch
127A	BS-691585	1		Plug-Welch
130	BS-691181	1		Valve-Throttle
133	BS-398187	1		Float-Carburetor
134	BS-398188	1	/P	Kit-Needle/Seat
137	BS-693981	1	/P	Gasket-Float Bowl
146	BS-690979	1	/P	Key-Timing
155	BS-698214	1		Plate-Cylinder Head
161	BS-699207	1		Base-Air Cleaner (Flat Panel Air Cleaner)
161A	BS-790631	1		Base-Air Cleaner (Ultra Low Air Cleaner)
163	BS-696024	1		Gasket-Air Cleaner(Flat Panel Air Cleaner)
163A	BS-792870	1		Gasket-Air Cleaner (High Mount)
170	BS-699818	1		Stud (Crankcase Cover)
186	BS-692317	1	/P	Connector-Hose
187	BS-791766	1	S	Line-Fuel (Cut to Required Length)
187A	BS-791867	1		Line-Fuel (Molded)
187B	BS-791874	1		Line-Fuel (Molded)
187C	BS-791866	1		Line-Fuel (Molded)
188	BS-699479	1		Screw (Control Bracket)
190	BS-699220	1		Screw (Fuel Tank)
192	BS-694543	1	/P	Adjuster-Rocker Arm
209	BS-692571	1		Spring-Governor
209A	BS-691278	1		Spring-Governor
219	BS-693578	1		Gear-Governor
220	BS-691724	1		Washer (Governor Gear)
222	BS-699589	1		Bracket-Control (Used Before Code Date 06051500).
222C	BS-699590	1		Bracket-Control (Used Before Code Date 06051500).
222D	BS-793107	1		Bracket-Control (Used After Code Date 06051400).
222F	BS-793100	1		Bracket-Control (Used After Code Date 06051400).
227	BS-692573	1		Lever-Governor Control
238	BS-691300	1	/P	Valve-Cap
240	BS-298090S	1	/P	Filter-Fuel
240A	BS-694485	1		Filter-Fuel
265	BS-691024	1	/P	Clamp-Casing
267	BS-699492	1		Screw (Casing Clamp)
268	BS-691025	1		Casing-Control Wire (Cut to Required Length)

21AA412A090 (2008)
Engine Assembly 2

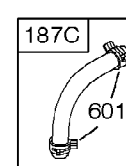
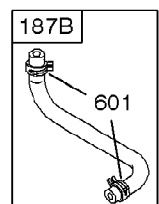
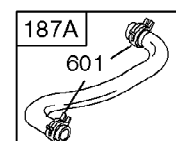
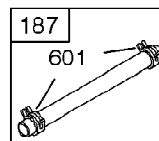
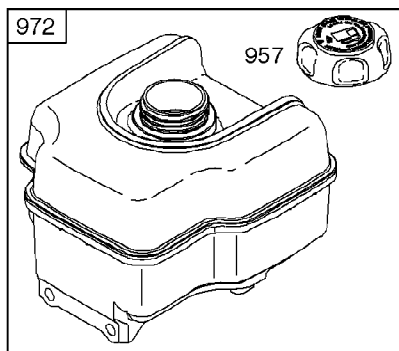
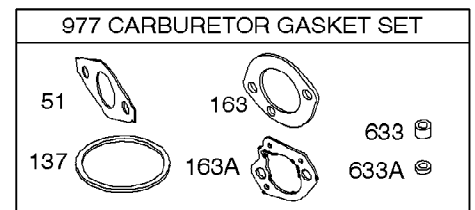
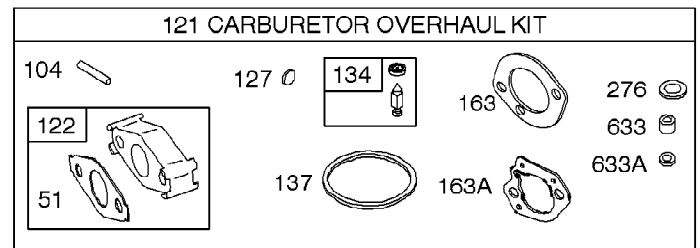
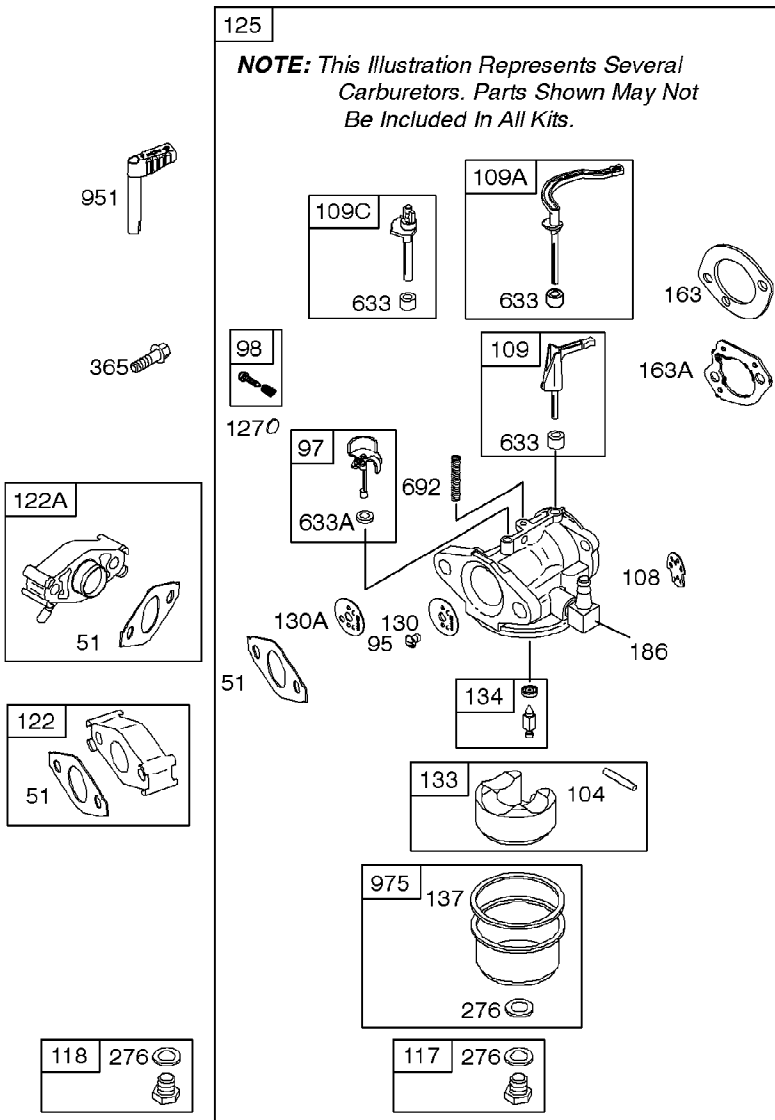
Page 15 of 58

Ref #	Part Number	Qty	S/P/F	Description
269	BS-691026	1		Wire-Control (Cut to Required Length)
270	BS-691027	1		Nut (Control Wire Casing)
271	BS-691028	1		Lever-Control
271A	BS-694256	1		Lever-Control
276	BS-271716	1		Washer-Sealing
281	BS-793122	1		Panel-Control
286	BS-698611	1		Module-Oil Sensor
287	BS-699629	1		Screw (Dipstick Tube)
300	BS-693593	1		Muffler
300A	BS-699231	1		Muffler
300E	BS-791595	1		Muffler
304	BS-699598	1		Housing-Blower
305	BS-699480	1	S	Screw (Blower Housing)
306	BS-693610	1		Shield-Cylinder
307	BS-699483	1		Screw (Cylinder Shield)
309	BS-694504	1		Motor-Starter
310	BS-690323	1		Screw (Starter Motor)
311	BS-497608	1		Brush Set
317	BS-695494	1		Cover-Starter
332	BS-79359	1		Nut (Flywheel)
333	BS-792723	1		Armature-Magneto
334	BS-699477	1		Screw (Magneto Armature)
337	759-3336	1	/P	Plug-Spark (Resistor)
337	BS-691043	1	/P	Plug-Spark (EMS)
347	BS-697854	1		Switch-Rocker
356	BS-693651	1		Wire-Stop
356A	BS-692390	1	/P	Wire-Stop
356B	BS-692602	1		Wire-Stop
356C	BS-695630	1		Wire-Stop
356D	BS-695283	1		Wire-Stop
356E	BS-695814	1		Wire-Stop
356F	BS-697397	1		Wire-Stop
358	BS-791797	1		Gasket Set-Engine
363	BS-19203	1		Puller-Flywheel
364	BS-695693	1		Terminal-Oil Plug
365	BS-699484	1		Screw (Carburetor)
383	BS-19374S	1		Wrench-Spark Plug
415	BS-693463	1		Plug
415A	BS-792749	1		Plug
425	BS-699208	1		Screw (Air Cleaner Cover)
425A	BS-699492	1		Screw (Air Cleaner Cover)
427	BS-694255	1		Nut(Control Bracket)
445	BS-491588S	1	/P	Filter-Air Cleaner Cartridge (Flat Panel)
445A	BS-697029	1	/P	Filter-Air Cleaner Cartridge (High Mount)
455	BS-692591	1		Cup-Flywheel
456	BS-692299	1		Plate-Pawl Friction
459	BS-281505S	1	/P	Pawl-Ratchet
467	BS-691668	1		Knob-Air Cleaner
474	BS-694457	1		Alternator
504	BS-694254	1		Washer Set-Friction
505	BS-691251	1		Nut (Governor Control Lever)
510	BS-499308	1		Drive-Starter
513	BS-692024	1		

Ref #	Part Number	Qty	S/P/F	Description
523	BS-790546	1		Dipstick
524	BS-281370S	1	/P	Seal-Dipstick Tube
544	BS-692966	1		Armature-Starter
552	BS-692346	1		Bushing-Governor Crank
562	BS-691119	1		Bolt (Governor Control Lever)
575	BS-692303	1		Switch-Starting
597	BS-691696	1	/P	Screw (Pawl Friction Plate)
601	BS-791850	1	/P	Clamp-Hose
608	BS-693394	1		Starter-Rewind (Rewind Starter Parts Used With 3MM Diameter Starter Rope)
608	BS-791670	1		Starter-Rewind (Rewind Starter Parts Used With 5MM Diameter Starter Rope)
613	BS-699209	1	S	Screw (Muffler)
613A	BS-699480	1	S	Screw (Muffler)
613B	BS-697812	1		Screw (Muffler)
615	BS-692576	1		Retainer-Governor Shaft
616	BS-692547	1		Crank-Governor
619	BS-699480	1	S	Screw (Cylinder Head Plate)
621	BS-692310	1	/P	Switch-Stop
632	BS-693408	1		Spring/Link-Mechanical Governor
633	BS-693867	1		Seal-Choke/Throttle Shaft
633A	BS-691321	1		Seal-Choke/Throttle Shaft
635	BS-692076	1	/P	Boot-Spark Plug
635A	BS-692927	1		Boot-Spark Plug
652	BS-699755	1		Screw (Support Bracket)
652A	BS-699480	1	S	Screw (Support Bracket)
663	BS-699206	1		Screw (Control Panel)
668	BS-694257	1		Spacer
675	BS-691261	1		Washer (Brush Retainer)
676	BS-393757	1	S	Deflector-Muffler
676A	BS-697816	1		Deflector-Muffler
676B	BS-395700	1		Deflector-Muffler
677	BS-690661	1	/P	Screw (Muffler Deflector)
677A	BS-699776	1		Screw (Muffler Deflector)
689	BS-691855	1	/P	Spring-Friction
692	BS-690572	1	/P	Spring-Detent
697	BS-790537	1	/P	Screw (Starter Motor) (Used After Code Date 04110800).
697	BS-699773	1	S	Screw (Used Before Code Date 04110900).
717	BS-693462	1		Bracket-Air Cleaner
718	BS-690959	1	/P	Pin-Locating
725	BS-792874	1		Shield-Heat
727	BS-698039	1		Cover-Starter Drive
728	BS-699632	1		Screw (Heat Shield)
732	BS-699200	1		Screw (Starter Drive Cover)
741	BS-695087	1		Gear-Timing
742	BS-692564	1		Retainer-E Ring
746	BS-790278	1		Gear-Idler
773	BS-694258	1		Retainer
783	BS-692353	1		Gear-Pinion
792	BS-694259	1		Bracket-Fixed Speed

Ref #	Part Number	Qty	S/P/F	Description
797	BS-691029	1		Nut (Brush Retainer)
799	BS-699202	1		Screw (Oil Sensor)
801	BS-694482	1		Cap-Drive
802	BS-691286	1		Cap-End
803	BS-693757	1		Housing-Starter
819	BS-699233	1		Screw (Muffler Bracket)
823	BS-699209	1	S	Screw (Muffler Adapter)
830	BS-694544	1		Stud-Rocker Arm
832	BS-693583	1		Guard-Muffler
832A	BS-697818	1		Guard-Muffler
832B	BS-696516	1		Guard-Muffler
832D	BS-791600	1		Guard-Muffler
836	BS-699203	1		Screw (Muffler Guard)
836A	BS-699632	1		Screw (Muffler Guard)
836B	BS-699209	1	S	Screw (Muffler Guard)
836C	BS-699234	1		Screw (Muffler Guard)
836D	BS-699204	1		Screw (Muffler Guard)
836E	BS-699755	1		Screw (Muffler Guard)
842	BS-691031	1	/P	Seal-O Ring (Dipstick Tube)
843	BS-695588	1		Sleeve-Lever
847	BS-790545	1		Dipstick/Tube Assembly
851	BS-493880S	1	/P	Terminal-Spark Plug
863	BS-699229	1		Bracket-Muffler
864	BS-699232	1		Adapter-Muffler
868	BS-692044	1	/P	Seal-Valve
875	BS-697030	1		Base-Air Cleaner (High Mount)
883	BS-691893	1	/P	Gasket-Exhaust
883A	BS-692237	1	/P	Gasket-Exhaust (Adapter Mounting)
890	BS-790203	1		Bracket-Support
914	BS-699480	1	S	Screw (Rocker Cover) (Bottom)
914A	BS-692557	1		Screw (Rocker Cover) (Top)
914B	BS-697551	1		Screw (Rocker Cover) (Center)
951	BS-790630	1		Lever-Choke
957	BS-792647	1	/P	Cap-Fuel Tank
958	BS-698180	1		Valve-Fuel Shut Off
961	BS-698304	1		Screw (Air Cleaner Bracket)
967	BS-493537S	1	/P	Filter-Pre Cleaner (Flat Panel)
967A	BS-273356S	1	/P	Filter-Pre Cleaner (High Mount)
968	BS-692584	1		Cover-Air Cleaner (Flat Panel Air Cleaner)
968A	BS-693460	1		Cover-Air Cleaner (High Mount)
968B	BS-791082	1		Cover-Air Cleaner (Ultra Low Air Cleaner)
971	BS-690370	1		Screw (Air Cleaner Base)
971A	BS-690349	1		Screw (Air Cleaner Base)
971B	BS-699629	1		Screw (Air Cleaner Base)
972	BS-694260	1	/P	Tank-Fuel
975	BS-493640	1	S	Bowl-Float
977	BS-792007	1		Gasket Set-Carburetor
993	BS-694088	1	/P	Gasket-Cylinder Head Plate
994	BS-790153	1		Arrester-Spark
1005	BS-692592	1		Fan-Flywheel
1005A	BS-794273	1		Fan-Flywheel
1019	BS-694852	1		Kit-Label
1022	BS-691890	1		Parts-Cover

Ref #	Part Number	Qty	S/P/F	Description
1023	BS-499924	1		Cover-Rocker Arm
1026	BS-790287	1		Rod-Push
1029	BS-691230	1	/P	Arm-Rocker
1034	BS-691343	1	/P	Guide-Push Rod
1036		1		Label-Emissions (Available From Briggs & Stratton)
1051	BS-691265	1		Ring-Retaining
1052	BS-790141	1		Sensor-Oil
1054	BS-280275	1		Cable-Tie
1070	BS-699201	1		Screw (Flywheel Fan)
1090	BS-691293	1		Retainer-Brush
1095	BS-791798	1		Gasket Set-Valve
1119	BS-699772	1		Screw (Alternator)
1172	BS-699230	1		Screw (Fixed Speed Bracket)
1210	BS-498144	1	/P	Pulley/Spring Assembly (Pulley) (Rewind Starter Parts Used With 3MM Diameter Starter Rope)
1210	BS-791849	1		Pulley/Spring Assembly (Pulley) (Rewind Starter Parts Used With 5MM Diameter Starter Rope)
1211	BS-498144	1	/P	Pulley/Spring Assembly (Spring) (Rewind Starter Parts Used With 3MM Diameter Starter Rope)
1211	BS-791849	1		Pulley/Spring Assembly (Spring) (Rewind Starter Parts Used With 5MM Diameter Starter Rope)
1217	BS-691075	1		Washer (Starting Switch)
1225	BS-696198	1		Nut (Starting Switch)
1305	BS-699691	1		Screw (Oil Sensor Module)
1319	BS-794467	1		Label-Warning



Ref #	Part Number	Qty	S/P/F	Description
1	BS-699510	1		Cylinder Assembly
2	BS-399269	1	/P	Kit-Bushing/Seal (Magneto Side)
3	BS-299819S	1		Seal-Oil (Magneto Side)
5	BS-699486	1		Head-Cylinder
7	BS-698210	1		Gasket-Cylinder Head
11	BS-692600	1		Tube-Breather (Flat Panel Air Cleaner)
11A	BS-693647	1		Tube-Breather (High Mount Air Cleaner)
11B	BS-790632	1		Tube-Breather (Ultra Low Air Cleaner)
12	BS-699485	1		Gasket-Crankcase
13	BS-699482	1		Screw (Cylinder Head)
15	BS-691686	1	/P	Plug-Oil Drain (Square Head)
15C	BS-792750	1		Plug-Oil Drain
16	BS-699445	1		Crankshaft
16	BS-699449	1		Crankshaft
17	BS-692517	1	/P	Bearing-Ball
17B	BS-99158	1		Bearing-Ball
18	BS-699804	1		Cover-Crankcase
20	BS-692550	1		Seal-Oil (PTO Side)
21	BS-281658S	1	/P	Cap-Oil Fill
22	BS-699478	1		Screw (Crankcase Cover/Sump)
23	BS-699488	1		Flywheel
24	BS-222698S	1	/P	Key-Flywheel
25	BS-791968	1		Piston Assembly (Standard)
25	BS-791326	1		Piston Assembly (.020" Oversize)
26	BS-791969	1		Ring Set (Standard) (Used After Code 05030800).
26	BS-499631	1		Ring Set (Standard) (Used Before Code Date 05030900).
26	BS-791324	1		Ring Set (.020" Oversize) (Used After Code 05030800).
26	BS-692786	1		Ring Set (.020" Oversize) (Used Before Code Date 05030900).
27	BS-691866	1	/P	Lock-Piston Pin
28	BS-499423	1		Pin-Piston
29	BS-690124	1		Rod-Connecting
30	BS-791584	1		Dipper-ConnectingRod
32	BS-691664	1		Screw (Connecting Rod)
32A	BS-695759	1		Screw (Connecting Rod)
33	BS-499642	1		Valve-Exhaust
34	BS-499641	1	S	Valve-Intake
35	BS-691304	1		Spring-Valve (Intake)
36	BS-691304	1		Spring-Valve (Exhaust)
37	BS-699661	1		Guard-Flywheel
40	BS-692194	1		Retainer-Valve
45	BS-690977	1	/P	Tappet-Valve
46	BS-693404	1		Camshaft
51	BS-692555	1		Gasket-Intake
55	BS-691422	1		Housing-Rewind Starter (Rewind Starter Parts Used With 3MM Diameter Starter Rope)

Ref #	Part Number	Qty	S/P/F	Description
55	BS-791848	1		Housing-Rewind Starter (Rewind Starter Parts Used With 5MMDiameter Starter Rope)
58	BS-693389	1		Rope-Starter (Rewind Starter Parts Used With 3MM Diameter Starter Rope)
	BS-66574	1		Rope-Starter (Rewind Starter Parts Used With 5MMDiameter Starter Rope)
60	BS-490652	1		Grip-Starter Rope (2 Piece)
60A	BS-281434S	1	/P	Grip-Starter Rope
65	BS-699228	1		Screw (Rewind Starter)
78	BS-699205	1		Screw (Flywheel Guard)
79	BS-694511	1		Case-Gear Reduction (Used Before Code Date 06051700).
79A	BS-792746	1		Case-Gear Reduction (Used After Code Date 06051600).
80	BS-792755	1		Gasket-Gear Case
82	BS-690369	1		Screw (Gear Reduction Case) (Used Before Code Date 06051700).
82A	BS-790197	1		Screw (Gear Reduction Case) (Used Before Code Date 06051700).
82B	BS-792753	1		Screw (Gear Reduction Case) (Used After Code Date 06051600).
83	BS-690374	1		Shaft-Auxiliary Drive (Used Before Code Date 06051700).
83A	BS-792756	1		Shaft-Auxiliary Drive (Used After Code Date 06051600).
84	BS-691121	1		Plug-Breather
84A	BS-792759	1		Plug-Breather
85	BS-692551	1		Screw (Gear Cover to Gear Reduction) (Used Before Code Date 06051700).
85A	BS-690711	1		Screw (Gear Cover to Gear Reduction) (Used After Code Date 06051600).
86	BS-690608	1		Cover-Gear (Used Before Code Date 06051700).
86A	BS-792748	1		Cover-Gear (Used After Code Date 06051600).
87	BS-691582	1		Seal-Gear Reduction (Used Before Code Date 06051700).
87A	BS-792752	1		Seal-Gear Reduction (Used After Code Date 06051600).
88	BS-691600	1		Gasket-Gear Reduction Cover
88A	BS-792760	1		Gasket-Gear Reduction Cover
95	BS-691636	1	/P	Screw (Throttle Valve)
97	BS-690024	1		Shaft-Throttle
98	BS-398185	1		Kit-Idle Speed (Carburetor)
104	BS-691242	1	/P	Pin-Float Valve

Ref #	Part Number	Qty	S/P/F	Description
108	BS-692567	1		Valve-Choke
109	BS-690023	1		Shaft-Choke
109A	BS-693628	1		Shaft-Choke
109C	BS-790624	1		Shaft-Choke
117	BS-498978	1		Jet-Main (Standard)
118	BS-498975	1		Jet-Main (High Altitude)
121	BS-696998	1		Kit-Carburetor Overhaul
122	BS-693749	1		Spacer-Carburetor
125	BS-791077	1	/P	Carburetor
127	BS-691739	1		Plug-Welch
127A	BS-691585	1		Plug-Welch
130	BS-691181	1		Valve-Throttle
133	BS-398187	1		Float-Carburetor
134	BS-398188	1	/P	Kit-Needle/Seat
137	BS-693981	1	/P	Gasket-Float Bowl
146	BS-690979	1	/P	Key-Timing
155	BS-698214	1		Plate-Cylinder Head
161	BS-699207	1		Base-Air Cleaner (Flat Panel Air Cleaner)
161A	BS-790631	1		Base-Air Cleaner (Ultra Low Air Cleaner)
163	BS-696024	1		Gasket-Air Cleaner(Flat Panel Air Cleaner)
163A	BS-792870	1		Gasket-Air Cleaner (High Mount)
170	BS-699818	1		Stud (Crankcase Cover)
186	BS-692317	1	/P	Connector-Hose
187	BS-791766	1	S	Line-Fuel (Cut to Required Length)
187A	BS-791867	1		Line-Fuel (Molded)
187B	BS-791874	1		Line-Fuel (Molded)
187C	BS-791866	1		Line-Fuel (Molded)
188	BS-699479	1		Screw (Control Bracket)
190	BS-699220	1		Screw (Fuel Tank)
192	BS-694543	1	/P	Adjuster-Rocker Arm
209	BS-692571	1		Spring-Governor
209A	BS-691278	1		Spring-Governor
219	BS-693578	1		Gear-Governor
220	BS-691724	1		Washer (Governor Gear)
222	BS-699589	1		Bracket-Control (Used Before Code Date 06051500).
222C	BS-699590	1		Bracket-Control (Used Before Code Date 06051500).
222D	BS-793107	1		Bracket-Control (Used After Code Date 06051400).
222F	BS-793100	1		Bracket-Control (Used After Code Date 06051400).
227	BS-692573	1		Lever-Governor Control
238	BS-691300	1	/P	Valve-Cap
240	BS-298090S	1	/P	Filter-Fuel
240A	BS-694485	1		Filter-Fuel
265	BS-691024	1	/P	Clamp-Casing
267	BS-699492	1		Screw (Casing Clamp)
268	BS-691025	1		Casing-Control Wire (Cut to Required Length)

Ref #	Part Number	Qty	S/P/F	Description
269	BS-691026	1		Wire-Control (Cut to Required Length)
270	BS-691027	1		Nut (Control Wire Casing)
271	BS-691028	1		Lever-Control
271A	BS-694256	1		Lever-Control
276	BS-271716	1		Washer-Sealing
281	BS-793122	1		Panel-Control
286	BS-698611	1		Module-Oil Sensor
287	BS-699629	1		Screw (Dipstick Tube)
300	BS-693593	1		Muffler
300A	BS-699231	1		Muffler
300E	BS-791595	1		Muffler
304	BS-699598	1		Housing-Blower
305	BS-699480	1	S	Screw (Blower Housing)
306	BS-693610	1		Shield-Cylinder
307	BS-699483	1		Screw (Cylinder Shield)
309	BS-694504	1		Motor-Starter
310	BS-690323	1		Screw (Starter Motor)
311	BS-497608	1		Brush Set
317	BS-695494	1		Cover-Starter
332	BS-79359	1		Nut (Flywheel)
333	BS-792723	1		Armature-Magneto
334	BS-699477	1		Screw (Magneto Armature)
337	759-3336	1	/P	Plug-Spark (Resistor)
337	BS-691043	1	/P	Plug-Spark (EMS)
347	BS-697854	1		Switch-Rocker
356	BS-693651	1		Wire-Stop
356A	BS-692390	1	/P	Wire-Stop
356B	BS-692602	1		Wire-Stop
356C	BS-695630	1		Wire-Stop
356D	BS-695283	1		Wire-Stop
356E	BS-695814	1		Wire-Stop
356F	BS-697397	1		Wire-Stop
358	BS-791797	1		Gasket Set-Engine
363	BS-19203	1		Puller-Flywheel
364	BS-695693	1		Terminal-Oil Plug
365	BS-699484	1		Screw (Carburetor)
383	BS-19374S	1		Wrench-Spark Plug
415	BS-693463	1		Plug
415A	BS-792749	1		Plug
425	BS-699208	1		Screw (Air Cleaner Cover)
425A	BS-699492	1		Screw (Air Cleaner Cover)
427	BS-694255	1		Nut(Control Bracket)
445	BS-491588S	1	/P	Filter-Air Cleaner Cartridge (Flat Panel)
445A	BS-697029	1	/P	Filter-Air Cleaner Cartridge (High Mount)
455	BS-692591	1		Cup-Flywheel
456	BS-692299	1		Plate-Pawl Friction
459	BS-281505S	1	/P	Pawl-Ratchet
467	BS-691668	1		Knob-Air Cleaner
474	BS-694457	1		Alternator
504	BS-694254	1		Washer Set-Friction
505	BS-691251	1		Nut (Governor Control Lever)
510	BS-499308	1		Drive-Starter
513	BS-692024	1		

Ref #	Part Number	Qty	S/P/F	Description
523	BS-790546	1		Dipstick
524	BS-281370S	1	/P	Seal-Dipstick Tube
544	BS-692966	1		Armature-Starter
552	BS-692346	1		Bushing-Governor Crank
562	BS-691119	1		Bolt (Governor Control Lever)
575	BS-692303	1		Switch-Starting
597	BS-691696	1	/P	Screw (Pawl Friction Plate)
601	BS-791850	1	/P	Clamp-Hose
608	BS-693394	1		Starter-Rewind (Rewind Starter Parts Used With 3MM Diameter Starter Rope)
608	BS-791670	1		Starter-Rewind (Rewind Starter Parts Used With 5MM Diameter Starter Rope)
613	BS-699209	1	S	Screw (Muffler)
613A	BS-699480	1	S	Screw (Muffler)
613B	BS-697812	1		Screw (Muffler)
615	BS-692576	1		Retainer-Governor Shaft
616	BS-692547	1		Crank-Governor
619	BS-699480	1	S	Screw (Cylinder Head Plate)
621	BS-692310	1	/P	Switch-Stop
632	BS-693408	1		Spring/Link-Mechanical Governor
633	BS-693867	1		Seal-Choke/Throttle Shaft
633A	BS-691321	1		Seal-Choke/Throttle Shaft
635	BS-692076	1	/P	Boot-Spark Plug
635A	BS-692927	1		Boot-Spark Plug
652	BS-699755	1		Screw (Support Bracket)
652A	BS-699480	1	S	Screw (Support Bracket)
663	BS-699206	1		Screw (Control Panel)
668	BS-694257	1		Spacer
675	BS-691261	1		Washer (Brush Retainer)
676	BS-393757	1	S	Deflector-Muffler
676A	BS-697816	1		Deflector-Muffler
676B	BS-395700	1		Deflector-Muffler
677	BS-690661	1	/P	Screw (Muffler Deflector)
677A	BS-699776	1		Screw (Muffler Deflector)
689	BS-691855	1	/P	Spring-Friction
692	BS-690572	1	/P	Spring-Detent
697	BS-790537	1	/P	Screw (Starter Motor) (Used After Code Date 04110800).
697	BS-699773	1	S	Screw (Used Before Code Date 04110900).
717	BS-693462	1		Bracket-Air Cleaner
718	BS-690959	1	/P	Pin-Locating
725	BS-792874	1		Shield-Heat
727	BS-698039	1		Cover-Starter Drive
728	BS-699632	1		Screw (Heat Shield)
732	BS-699200	1		Screw (Starter Drive Cover)
741	BS-695087	1		Gear-Timing
742	BS-692564	1		Retainer-E Ring
746	BS-790278	1		Gear-Idler
773	BS-694258	1		Retainer
783	BS-692353	1		Gear-Pinion
792	BS-694259	1		Bracket-Fixed Speed

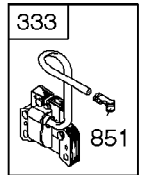
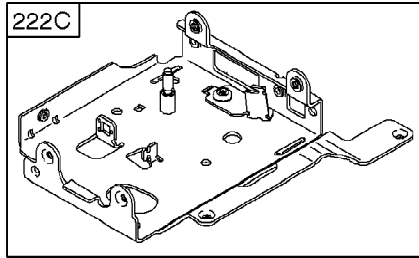
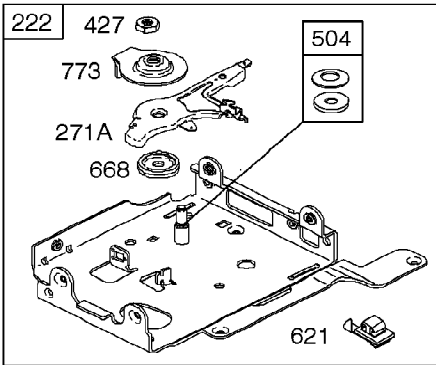
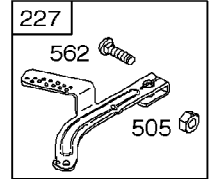
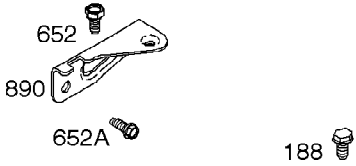
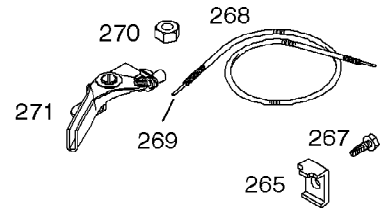
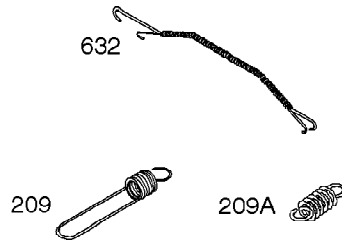
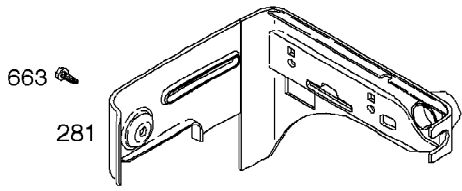
Ref #	Part Number	Qty	S/P/F	Description
797	BS-691029	1		Nut (Brush Retainer)
799	BS-699202	1		Screw (Oil Sensor)
801	BS-694482	1		Cap-Drive
802	BS-691286	1		Cap-End
803	BS-693757	1		Housing-Starter
819	BS-699233	1		Screw (Muffler Bracket)
823	BS-699209	1	S	Screw (Muffler Adapter)
830	BS-694544	1		Stud-Rocker Arm
832	BS-693583	1		Guard-Muffler
832A	BS-697818	1		Guard-Muffler
832B	BS-696516	1		Guard-Muffler
832D	BS-791600	1		Guard-Muffler
836	BS-699203	1		Screw (Muffler Guard)
836A	BS-699632	1		Screw (Muffler Guard)
836B	BS-699209	1	S	Screw (Muffler Guard)
836C	BS-699234	1		Screw (Muffler Guard)
836D	BS-699204	1		Screw (Muffler Guard)
836E	BS-699755	1		Screw (Muffler Guard)
842	BS-691031	1	/P	Seal-O Ring (Dipstick Tube)
843	BS-695588	1		Sleeve-Lever
847	BS-790545	1		Dipstick/Tube Assembly
851	BS-493880S	1	/P	Terminal-Spark Plug
863	BS-699229	1		Bracket-Muffler
864	BS-699232	1		Adapter-Muffler
868	BS-692044	1	/P	Seal-Valve
875	BS-697030	1		Base-Air Cleaner (High Mount)
883	BS-691893	1	/P	Gasket-Exhaust
883A	BS-692237	1	/P	Gasket-Exhaust (Adapter Mounting)
890	BS-790203	1		Bracket-Support
914	BS-699480	1	S	Screw (Rocker Cover) (Bottom)
914A	BS-692557	1		Screw (Rocker Cover) (Top)
914B	BS-697551	1		Screw (Rocker Cover) (Center)
951	BS-790630	1		Lever-Choke
957	BS-792647	1	/P	Cap-Fuel Tank
958	BS-698180	1		Valve-Fuel Shut Off
961	BS-698304	1		Screw (Air Cleaner Bracket)
967	BS-493537S	1	/P	Filter-Pre Cleaner (Flat Panel)
967A	BS-273356S	1	/P	Filter-Pre Cleaner (High Mount)
968	BS-692584	1		Cover-Air Cleaner (Flat Panel Air Cleaner)
968A	BS-693460	1		Cover-Air Cleaner (High Mount)
968B	BS-791082	1		Cover-Air Cleaner (Ultra Low Air Cleaner)
971	BS-690370	1		Screw (Air Cleaner Base)
971A	BS-690349	1		Screw (Air Cleaner Base)
971B	BS-699629	1		Screw (Air Cleaner Base)
972	BS-694260	1	/P	Tank-Fuel
975	BS-493640	1	S	Bowl-Float
977	BS-792007	1		Gasket Set-Carburetor
993	BS-694088	1	/P	Gasket-Cylinder Head Plate
994	BS-790153	1		Arrester-Spark
1005	BS-692592	1		Fan-Flywheel
1005A	BS-794273	1		Fan-Flywheel
1019	BS-694852	1		Kit-Label
1022	BS-691890	1		Parts-Cover

21AA412A090 (2008)
Engine Assembly 3

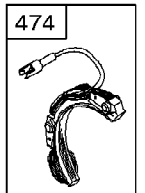
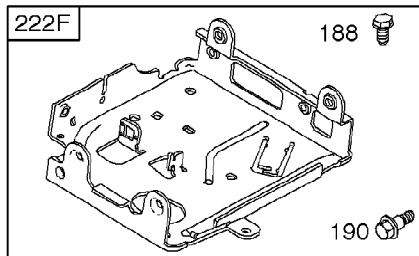
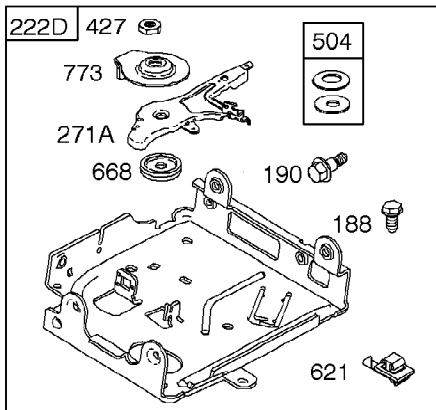
Page 26 of 58

Ref #	Part Number	Qty	S/P/F	Description
1023	BS-499924	1		Cover-Rocker Arm
1026	BS-790287	1		Rod-Push
1029	BS-691230	1	/P	Arm-Rocker
1034	BS-691343	1	/P	Guide-Push Rod
1036		1		Label-Emissions (Available From Briggs & Stratton)
1051	BS-691265	1		Ring-Retaining
1052	BS-790141	1		Sensor-Oil
1054	BS-280275	1		Cable-Tie
1070	BS-699201	1		Screw (Flywheel Fan)
1090	BS-691293	1		Retainer-Brush
1095	BS-791798	1		Gasket Set-Valve
1119	BS-699772	1		Screw (Alternator)
1172	BS-699230	1		Screw (Fixed Speed Bracket)
1210	BS-498144	1	/P	Pulley/Spring Assembly (Pulley) (Rewind Starter Parts Used With 3MM Diameter Starter Rope)
1210	BS-791849	1		Pulley/Spring Assembly (Pulley) (Rewind Starter Parts Used With 5MM Diameter Starter Rope)
1211	BS-498144	1	/P	Pulley/Spring Assembly (Spring) (Rewind Starter Parts Used With 3MM Diameter Starter Rope)
1211	BS-791849	1		Pulley/Spring Assembly (Spring) (Rewind Starter Parts Used With 5MM Diameter Starter Rope)
1217	BS-691075	1		Washer (Starting Switch)
1225	BS-696198	1		Nut (Starting Switch)
1305	BS-699691	1		Screw (Oil Sensor Module)
1319	BS-794467	1		Label-Warning

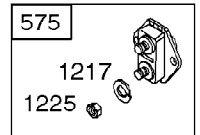
21AA412A090 (2008)
Engine Assembly 4



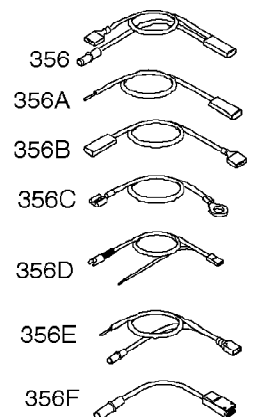
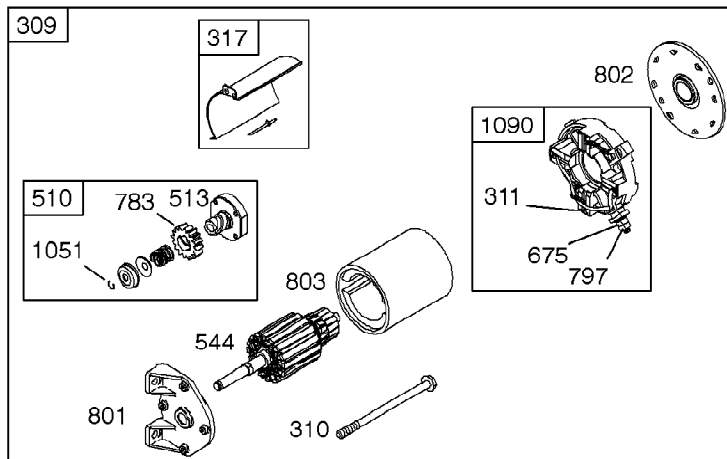
334



1119



1217
1225



Ref #	Part Number	Qty	S/P/F	Description
1	BS-699510	1		Cylinder Assembly
2	BS-399269	1	/P	Kit-Bushing/Seal (Magneto Side)
3	BS-299819S	1		Seal-Oil (Magneto Side)
5	BS-699486	1		Head-Cylinder
7	BS-698210	1		Gasket-Cylinder Head
11	BS-692600	1		Tube-Breather (Flat Panel Air Cleaner)
11A	BS-693647	1		Tube-Breather (High Mount Air Cleaner)
11B	BS-790632	1		Tube-Breather (Ultra Low Air Cleaner)
12	BS-699485	1		Gasket-Crankcase
13	BS-699482	1		Screw (Cylinder Head)
15	BS-691686	1	/P	Plug-Oil Drain (Square Head)
15C	BS-792750	1		Plug-Oil Drain
16	BS-699445	1		Crankshaft
16	BS-699449	1		Crankshaft
17	BS-692517	1	/P	Bearing-Ball
17B	BS-99158	1		Bearing-Ball
18	BS-699804	1		Cover-Crankcase
20	BS-692550	1		Seal-Oil (PTO Side)
21	BS-281658S	1	/P	Cap-Oil Fill
22	BS-699478	1		Screw (Crankcase Cover/Sump)
23	BS-699488	1		Flywheel
24	BS-222698S	1	/P	Key-Flywheel
25	BS-791968	1		Piston Assembly (Standard)
25	BS-791326	1		Piston Assembly (.020" Oversize)
26	BS-791969	1		Ring Set (Standard) (Used After Code 05030800).
26	BS-499631	1		Ring Set (Standard) (Used Before Code Date 05030900).
26	BS-791324	1		Ring Set (.020" Oversize) (Used After Code 05030800).
26	BS-692786	1		Ring Set (.020" Oversize) (Used Before Code Date 05030900).
27	BS-691866	1	/P	Lock-Piston Pin
28	BS-499423	1		Pin-Piston
29	BS-690124	1		Rod-Connecting
30	BS-791584	1		Dipper-ConnectingRod
32	BS-691664	1		Screw (Connecting Rod)
32A	BS-695759	1		Screw (Connecting Rod)
33	BS-499642	1		Valve-Exhaust
34	BS-499641	1	S	Valve-Intake
35	BS-691304	1		Spring-Valve (Intake)
36	BS-691304	1		Spring-Valve (Exhaust)
37	BS-699661	1		Guard-Flywheel
40	BS-692194	1		Retainer-Valve
45	BS-690977	1	/P	Tappet-Valve
46	BS-693404	1		Camshaft
51	BS-692555	1		Gasket-Intake
55	BS-691422	1		Housing-Rewind Starter (Rewind Starter Parts Used With 3MM Diameter Starter Rope)

Ref #	Part Number	Qty	S/P/F	Description
55	BS-791848	1		Housing-Rewind Starter (Rewind Starter Parts Used With 5MMDiameter Starter Rope)
58	BS-693389	1		Rope-Starter (Rewind Starter Parts Used With 3MM Diameter Starter Rope)
	BS-66574	1		Rope-Starter (Rewind Starter Parts Used With 5MMDiameter Starter Rope)
60	BS-490652	1		Grip-Starter Rope (2 Piece)
60A	BS-281434S	1	/P	Grip-Starter Rope
65	BS-699228	1		Screw (Rewind Starter)
78	BS-699205	1		Screw (Flywheel Guard)
79	BS-694511	1		Case-Gear Reduction (Used Before Code Date 06051700).
79A	BS-792746	1		Case-Gear Reduction (Used After Code Date 06051600).
80	BS-792755	1		Gasket-Gear Case
82	BS-690369	1		Screw (Gear Reduction Case) (Used Before Code Date 06051700).
82A	BS-790197	1		Screw (Gear Reduction Case) (Used Before Code Date 06051700).
82B	BS-792753	1		Screw (Gear Reduction Case) (Used After Code Date 06051600).
83	BS-690374	1		Shaft-Auxiliary Drive (Used Before Code Date 06051700).
83A	BS-792756	1		Shaft-Auxiliary Drive (Used After Code Date 06051600).
84	BS-691121	1		Plug-Breather
84A	BS-792759	1		Plug-Breather
85	BS-692551	1		Screw (Gear Cover to Gear Reduction) (Used Before Code Date 06051700).
85A	BS-690711	1		Screw (Gear Cover to Gear Reduction) (Used After Code Date 06051600).
86	BS-690608	1		Cover-Gear (Used Before Code Date 06051700).
86A	BS-792748	1		Cover-Gear (Used After Code Date 06051600).
87	BS-691582	1		Seal-Gear Reduction (Used Before Code Date 06051700).
87A	BS-792752	1		Seal-Gear Reduction (Used After Code Date 06051600).
88	BS-691600	1		Gasket-Gear Reduction Cover
88A	BS-792760	1		Gasket-Gear Reduction Cover
95	BS-691636	1	/P	Screw (Throttle Valve)
97	BS-690024	1		Shaft-Throttle
98	BS-398185	1		Kit-Idle Speed (Carburetor)
104	BS-691242	1	/P	Pin-Float Valve

Ref #	Part Number	Qty	S/P/F	Description
108	BS-692567	1		Valve-Choke
109	BS-690023	1		Shaft-Choke
109A	BS-693628	1		Shaft-Choke
109C	BS-790624	1		Shaft-Choke
117	BS-498978	1		Jet-Main (Standard)
118	BS-498975	1		Jet-Main (High Altitude)
121	BS-696998	1		Kit-Carburetor Overhaul
122	BS-693749	1		Spacer-Carburetor
125	BS-791077	1	/P	Carburetor
127	BS-691739	1		Plug-Welch
127A	BS-691585	1		Plug-Welch
130	BS-691181	1		Valve-Throttle
133	BS-398187	1		Float-Carburetor
134	BS-398188	1	/P	Kit-Needle/Seat
137	BS-693981	1	/P	Gasket-Float Bowl
146	BS-690979	1	/P	Key-Timing
155	BS-698214	1		Plate-Cylinder Head
161	BS-699207	1		Base-Air Cleaner (Flat Panel Air Cleaner)
161A	BS-790631	1		Base-Air Cleaner (Ultra Low Air Cleaner)
163	BS-696024	1		Gasket-Air Cleaner(Flat Panel Air Cleaner)
163A	BS-792870	1		Gasket-Air Cleaner (High Mount)
170	BS-699818	1		Stud (Crankcase Cover)
186	BS-692317	1	/P	Connector-Hose
187	BS-791766	1	S	Line-Fuel (Cut to Required Length)
187A	BS-791867	1		Line-Fuel (Molded)
187B	BS-791874	1		Line-Fuel (Molded)
187C	BS-791866	1		Line-Fuel (Molded)
188	BS-699479	1		Screw (Control Bracket)
190	BS-699220	1		Screw (Fuel Tank)
192	BS-694543	1	/P	Adjuster-Rocker Arm
209	BS-692571	1		Spring-Governor
209A	BS-691278	1		Spring-Governor
219	BS-693578	1		Gear-Governor
220	BS-691724	1		Washer (Governor Gear)
222	BS-699589	1		Bracket-Control (Used Before Code Date 06051500).
222C	BS-699590	1		Bracket-Control (Used Before Code Date 06051500).
222D	BS-793107	1		Bracket-Control (Used After Code Date 06051400).
222F	BS-793100	1		Bracket-Control (Used After Code Date 06051400).
227	BS-692573	1		Lever-Governor Control
238	BS-691300	1	/P	Valve-Cap
240	BS-298090S	1	/P	Filter-Fuel
240A	BS-694485	1		Filter-Fuel
265	BS-691024	1	/P	Clamp-Casing
267	BS-699492	1		Screw (Casing Clamp)
268	BS-691025	1		Casing-Control Wire (Cut to Required Length)

21AA412A090 (2008)
Engine Assembly 4

Page 31 of 58

Ref #	Part Number	Qty	S/P/F	Description
269	BS-691026	1		Wire-Control (Cut to Required Length)
270	BS-691027	1		Nut (Control Wire Casing)
271	BS-691028	1		Lever-Control
271A	BS-694256	1		Lever-Control
276	BS-271716	1		Washer-Sealing
281	BS-793122	1		Panel-Control
286	BS-698611	1		Module-Oil Sensor
287	BS-699629	1		Screw (Dipstick Tube)
300	BS-693593	1		Muffler
300A	BS-699231	1		Muffler
300E	BS-791595	1		Muffler
304	BS-699598	1		Housing-Blower
305	BS-699480	1	S	Screw (Blower Housing)
306	BS-693610	1		Shield-Cylinder
307	BS-699483	1		Screw (Cylinder Shield)
309	BS-694504	1		Motor-Starter
310	BS-690323	1		Screw (Starter Motor)
311	BS-497608	1		Brush Set
317	BS-695494	1		Cover-Starter
332	BS-79359	1		Nut (Flywheel)
333	BS-792723	1		Armature-Magneto
334	BS-699477	1		Screw (Magneto Armature)
337	759-3336	1	/P	Plug-Spark (Resistor)
337	BS-691043	1	/P	Plug-Spark (EMS)
347	BS-697854	1		Switch-Rocker
356	BS-693651	1		Wire-Stop
356A	BS-692390	1	/P	Wire-Stop
356B	BS-692602	1		Wire-Stop
356C	BS-695630	1		Wire-Stop
356D	BS-695283	1		Wire-Stop
356E	BS-695814	1		Wire-Stop
356F	BS-697397	1		Wire-Stop
358	BS-791797	1		Gasket Set-Engine
363	BS-19203	1		Puller-Flywheel
364	BS-695693	1		Terminal-Oil Plug
365	BS-699484	1		Screw (Carburetor)
383	BS-19374S	1		Wrench-Spark Plug
415	BS-693463	1		Plug
415A	BS-792749	1		Plug
425	BS-699208	1		Screw (Air Cleaner Cover)
425A	BS-699492	1		Screw (Air Cleaner Cover)
427	BS-694255	1		Nut(Control Bracket)
445	BS-491588S	1	/P	Filter-Air Cleaner Cartridge (Flat Panel)
445A	BS-697029	1	/P	Filter-Air Cleaner Cartridge (High Mount)
455	BS-692591	1		Cup-Flywheel
456	BS-692299	1		Plate-Pawl Friction
459	BS-281505S	1	/P	Pawl-Ratchet
467	BS-691668	1		Knob-Air Cleaner
474	BS-694457	1		Alternator
504	BS-694254	1		Washer Set-Friction
505	BS-691251	1		Nut (Governor Control Lever)
510	BS-499308	1		Drive-Starter
513	BS-692024	1		

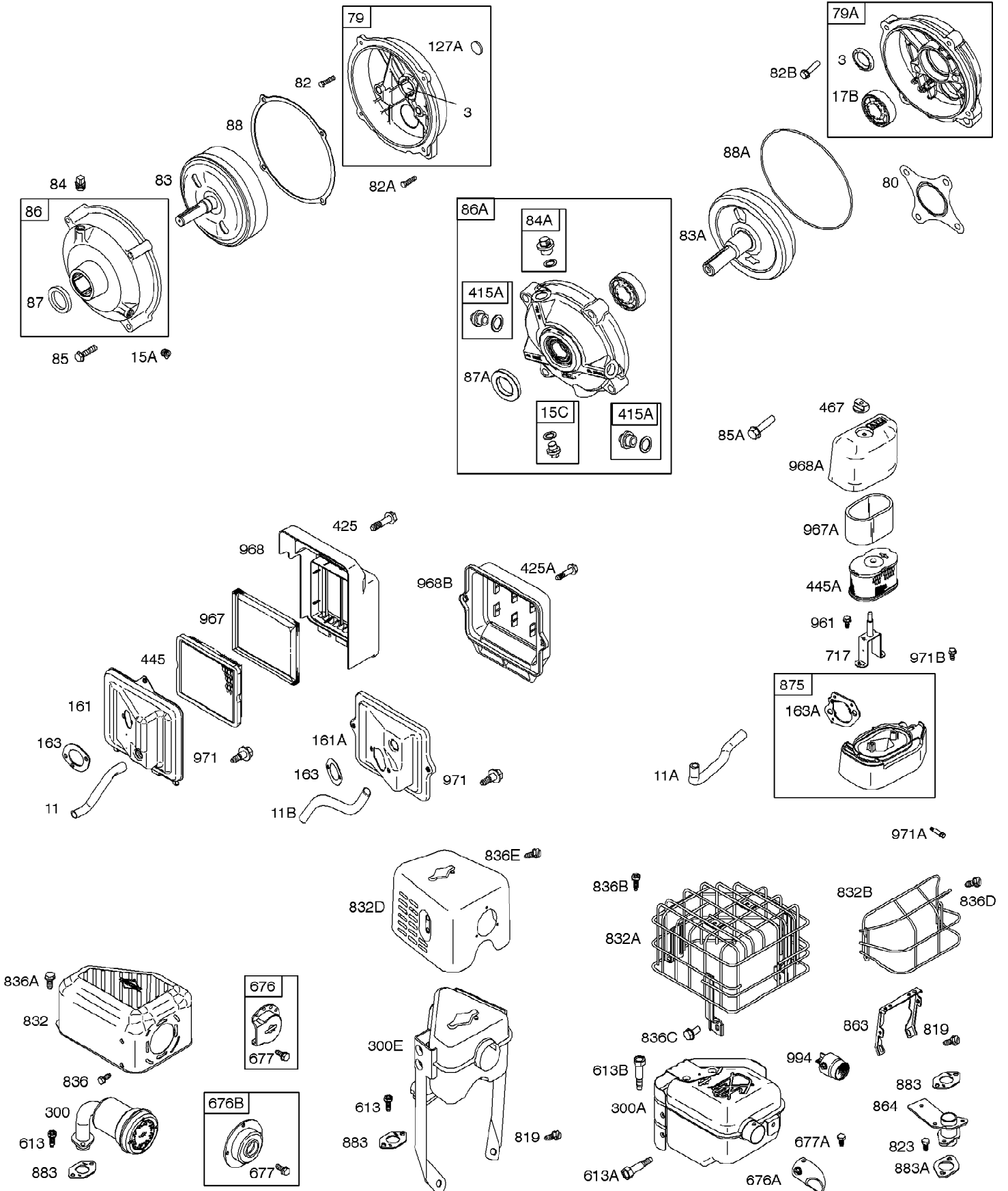
21AA412A090 (2008)
Engine Assembly 4

Page 32 of 58

Ref #	Part Number	Qty	S/P/F	Description
523	BS-790546	1		Dipstick
524	BS-281370S	1	/P	Seal-Dipstick Tube
544	BS-692966	1		Armature-Starter
552	BS-692346	1		Bushing-Governor Crank
562	BS-691119	1		Bolt (Governor Control Lever)
575	BS-692303	1		Switch-Starting
597	BS-691696	1	/P	Screw (Pawl Friction Plate)
601	BS-791850	1	/P	Clamp-Hose
608	BS-693394	1		Starter-Rewind (Rewind Starter Parts Used With 3MM Diameter Starter Rope)
608	BS-791670	1		Starter-Rewind (Rewind Starter Parts Used With 5MM Diameter Starter Rope)
613	BS-699209	1	S	Screw (Muffler)
613A	BS-699480	1	S	Screw (Muffler)
613B	BS-697812	1		Screw (Muffler)
615	BS-692576	1		Retainer-Governor Shaft
616	BS-692547	1		Crank-Governor
619	BS-699480	1	S	Screw (Cylinder Head Plate)
621	BS-692310	1	/P	Switch-Stop
632	BS-693408	1		Spring/Link-Mechanical Governor
633	BS-693867	1		Seal-Choke/Throttle Shaft
633A	BS-691321	1		Seal-Choke/Throttle Shaft
635	BS-692076	1	/P	Boot-Spark Plug
635A	BS-692927	1		Boot-Spark Plug
652	BS-699755	1		Screw (Support Bracket)
652A	BS-699480	1	S	Screw (Support Bracket)
663	BS-699206	1		Screw (Control Panel)
668	BS-694257	1		Spacer
675	BS-691261	1		Washer (Brush Retainer)
676	BS-393757	1	S	Deflector-Muffler
676A	BS-697816	1		Deflector-Muffler
676B	BS-395700	1		Deflector-Muffler
677	BS-690661	1	/P	Screw (Muffler Deflector)
677A	BS-699776	1		Screw (Muffler Deflector)
689	BS-691855	1	/P	Spring-Friction
692	BS-690572	1	/P	Spring-Detent
697	BS-790537	1	/P	Screw (Starter Motor) (Used After Code Date 04110800).
697	BS-699773	1	S	Screw (Used Before Code Date 04110900).
717	BS-693462	1		Bracket-Air Cleaner
718	BS-690959	1	/P	Pin-Locating
725	BS-792874	1		Shield-Heat
727	BS-698039	1		Cover-Starter Drive
728	BS-699632	1		Screw (Heat Shield)
732	BS-699200	1		Screw (Starter Drive Cover)
741	BS-695087	1		Gear-Timing
742	BS-692564	1		Retainer-E Ring
746	BS-790278	1		Gear-Idler
773	BS-694258	1		Retainer
783	BS-692353	1		Gear-Pinion
792	BS-694259	1		Bracket-Fixed Speed

Ref #	Part Number	Qty	S/P/F	Description
797	BS-691029	1		Nut (Brush Retainer)
799	BS-699202	1		Screw (Oil Sensor)
801	BS-694482	1		Cap-Drive
802	BS-691286	1		Cap-End
803	BS-693757	1		Housing-Starter
819	BS-699233	1		Screw (Muffler Bracket)
823	BS-699209	1	S	Screw (Muffler Adapter)
830	BS-694544	1		Stud-Rocker Arm
832	BS-693583	1		Guard-Muffler
832A	BS-697818	1		Guard-Muffler
832B	BS-696516	1		Guard-Muffler
832D	BS-791600	1		Guard-Muffler
836	BS-699203	1		Screw (Muffler Guard)
836A	BS-699632	1		Screw (Muffler Guard)
836B	BS-699209	1	S	Screw (Muffler Guard)
836C	BS-699234	1		Screw (Muffler Guard)
836D	BS-699204	1		Screw (Muffler Guard)
836E	BS-699755	1		Screw (Muffler Guard)
842	BS-691031	1	/P	Seal-O Ring (Dipstick Tube)
843	BS-695588	1		Sleeve-Lever
847	BS-790545	1		Dipstick/Tube Assembly
851	BS-493880S	1	/P	Terminal-Spark Plug
863	BS-699229	1		Bracket-Muffler
864	BS-699232	1		Adapter-Muffler
868	BS-692044	1	/P	Seal-Valve
875	BS-697030	1		Base-Air Cleaner (High Mount)
883	BS-691893	1	/P	Gasket-Exhaust
883A	BS-692237	1	/P	Gasket-Exhaust (Adapter Mounting)
890	BS-790203	1		Bracket-Support
914	BS-699480	1	S	Screw (Rocker Cover) (Bottom)
914A	BS-692557	1		Screw (Rocker Cover) (Top)
914B	BS-697551	1		Screw (Rocker Cover) (Center)
951	BS-790630	1		Lever-Choke
957	BS-792647	1	/P	Cap-Fuel Tank
958	BS-698180	1		Valve-Fuel Shut Off
961	BS-698304	1		Screw (Air Cleaner Bracket)
967	BS-493537S	1	/P	Filter-Pre Cleaner (Flat Panel)
967A	BS-273356S	1	/P	Filter-Pre Cleaner (High Mount)
968	BS-692584	1		Cover-Air Cleaner (Flat Panel Air Cleaner)
968A	BS-693460	1		Cover-Air Cleaner (High Mount)
968B	BS-791082	1		Cover-Air Cleaner (Ultra Low Air Cleaner)
971	BS-690370	1		Screw (Air Cleaner Base)
971A	BS-690349	1		Screw (Air Cleaner Base)
971B	BS-699629	1		Screw (Air Cleaner Base)
972	BS-694260	1	/P	Tank-Fuel
975	BS-493640	1	S	Bowl-Float
977	BS-792007	1		Gasket Set-Carburetor
993	BS-694088	1	/P	Gasket-Cylinder Head Plate
994	BS-790153	1		Arrester-Spark
1005	BS-692592	1		Fan-Flywheel
1005A	BS-794273	1		Fan-Flywheel
1019	BS-694852	1		Kit-Label
1022	BS-691890	1		Parts Cover

Ref #	Part Number	Qty	S/P/F	Description
1023	BS-499924	1		Cover-Rocker Arm
1026	BS-790287	1		Rod-Push
1029	BS-691230	1	/P	Arm-Rocker
1034	BS-691343	1	/P	Guide-Push Rod
1036		1		Label-Emissions (Available From Briggs & Stratton)
1051	BS-691265	1		Ring-Retaining
1052	BS-790141	1		Sensor-Oil
1054	BS-280275	1		Cable-Tie
1070	BS-699201	1		Screw (Flywheel Fan)
1090	BS-691293	1		Retainer-Brush
1095	BS-791798	1		Gasket Set-Valve
1119	BS-699772	1		Screw (Alternator)
1172	BS-699230	1		Screw (Fixed Speed Bracket)
1210	BS-498144	1	/P	Pulley/Spring Assembly (Pulley) (Rewind Starter Parts Used With 3MM Diameter Starter Rope)
1210	BS-791849	1		Pulley/Spring Assembly (Pulley) (Rewind Starter Parts Used With 5MM Diameter Starter Rope)
1211	BS-498144	1	/P	Pulley/Spring Assembly (Spring) (Rewind Starter Parts Used With 3MM Diameter Starter Rope)
1211	BS-791849	1		Pulley/Spring Assembly (Spring) (Rewind Starter Parts Used With 5MM Diameter Starter Rope)
1217	BS-691075	1		Washer (Starting Switch)
1225	BS-696198	1		Nut (Starting Switch)
1305	BS-699691	1		Screw (Oil Sensor Module)
1319	BS-794467	1		Label-Warning



Ref #	Part Number	Qty	S/P/F	Description
1	BS-699510	1		Cylinder Assembly
2	BS-399269	1	/P	Kit-Bushing/Seal (Magneto Side)
3	BS-299819S	1		Seal-Oil (Magneto Side)
5	BS-699486	1		Head-Cylinder
7	BS-698210	1		Gasket-Cylinder Head
11	BS-692600	1		Tube-Breather (Flat Panel Air Cleaner)
11A	BS-693647	1		Tube-Breather (High Mount Air Cleaner)
11B	BS-790632	1		Tube-Breather (Ultra Low Air Cleaner)
12	BS-699485	1		Gasket-Crankcase
13	BS-699482	1		Screw (Cylinder Head)
15	BS-691686	1	/P	Plug-Oil Drain (Square Head)
15C	BS-792750	1		Plug-Oil Drain
16	BS-699445	1		Crankshaft
16	BS-699449	1		Crankshaft
17	BS-692517	1	/P	Bearing-Ball
17B	BS-99158	1		Bearing-Ball
18	BS-699804	1		Cover-Crankcase
20	BS-692550	1		Seal-Oil (PTO Side)
21	BS-281658S	1	/P	Cap-Oil Fill
22	BS-699478	1		Screw (Crankcase Cover/Sump)
23	BS-699488	1		Flywheel
24	BS-222698S	1	/P	Key-Flywheel
25	BS-791968	1		Piston Assembly (Standard)
25	BS-791326	1		Piston Assembly (.020" Oversize)
26	BS-791969	1		Ring Set (Standard) (Used After Code 05030800).
26	BS-499631	1		Ring Set (Standard) (Used Before Code Date 05030900).
26	BS-791324	1		Ring Set (.020" Oversize) (Used After Code 05030800).
26	BS-692786	1		Ring Set (.020" Oversize) (Used Before Code Date 05030900).
27	BS-691866	1	/P	Lock-Piston Pin
28	BS-499423	1		Pin-Piston
29	BS-690124	1		Rod-Connecting
30	BS-791584	1		Dipper-ConnectingRod
32	BS-691664	1		Screw (Connecting Rod)
32A	BS-695759	1		Screw (Connecting Rod)
33	BS-499642	1		Valve-Exhaust
34	BS-499641	1	S	Valve-Intake
35	BS-691304	1		Spring-Valve (Intake)
36	BS-691304	1		Spring-Valve (Exhaust)
37	BS-699661	1		Guard-Flywheel
40	BS-692194	1		Retainer-Valve
45	BS-690977	1	/P	Tappet-Valve
46	BS-693404	1		Camshaft
51	BS-692555	1		Gasket-Intake
55	BS-691422	1		Housing-Rewind Starter (Rewind Starter Parts Used With 3MM Diameter Starter Rope)

Ref #	Part Number	Qty	S/P/F	Description
55	BS-791848	1		Housing-Rewind Starter (Rewind Starter Parts Used With 5MMDiameter Starter Rope)
58	BS-693389	1		Rope-Starter (Rewind Starter Parts Used With 3MM Diameter Starter Rope)
	BS-66574	1		Rope-Starter (Rewind Starter Parts Used With 5MMDiameter Starter Rope)
60	BS-490652	1		Grip-Starter Rope (2 Piece)
60A	BS-281434S	1	/P	Grip-Starter Rope
65	BS-699228	1		Screw (Rewind Starter)
78	BS-699205	1		Screw (Flywheel Guard)
79	BS-694511	1		Case-Gear Reduction (Used Before Code Date 06051700).
79A	BS-792746	1		Case-Gear Reduction (Used After Code Date 06051600).
80	BS-792755	1		Gasket-Gear Case
82	BS-690369	1		Screw (Gear Reduction Case) (Used Before Code Date 06051700).
82A	BS-790197	1		Screw (Gear Reduction Case) (Used Before Code Date 06051700).
82B	BS-792753	1		Screw (Gear Reduction Case) (Used After Code Date 06051600).
83	BS-690374	1		Shaft-Auxiliary Drive (Used Before Code Date 06051700).
83A	BS-792756	1		Shaft-Auxiliary Drive (Used After Code Date 06051600).
84	BS-691121	1		Plug-Breather
84A	BS-792759	1		Plug-Breather
85	BS-692551	1		Screw (Gear Cover to Gear Reduction) (Used Before Code Date 06051700).
85A	BS-690711	1		Screw (Gear Cover to Gear Reduction) (Used After Code Date 06051600).
86	BS-690608	1		Cover-Gear (Used Before Code Date 06051700).
86A	BS-792748	1		Cover-Gear (Used After Code Date 06051600).
87	BS-691582	1		Seal-Gear Reduction (Used Before Code Date 06051700).
87A	BS-792752	1		Seal-Gear Reduction (Used After Code Date 06051600).
88	BS-691600	1		Gasket-Gear Reduction Cover
88A	BS-792760	1		Gasket-Gear Reduction Cover
95	BS-691636	1	/P	Screw (Throttle Valve)
97	BS-690024	1		Shaft-Throttle
98	BS-398185	1		Kit-Idle Speed (Carburetor)
104	BS-691242	1	/P	Pin-Float Valve

Ref #	Part Number	Qty	S/P/F	Description
108	BS-692567	1		Valve-Choke
109	BS-690023	1		Shaft-Choke
109A	BS-693628	1		Shaft-Choke
109C	BS-790624	1		Shaft-Choke
117	BS-498978	1		Jet-Main (Standard)
118	BS-498975	1		Jet-Main (High Altitude)
121	BS-696998	1		Kit-Carburetor Overhaul
122	BS-693749	1		Spacer-Carburetor
125	BS-791077	1	/P	Carburetor
127	BS-691739	1		Plug-Welch
127A	BS-691585	1		Plug-Welch
130	BS-691181	1		Valve-Throttle
133	BS-398187	1		Float-Carburetor
134	BS-398188	1	/P	Kit-Needle/Seat
137	BS-693981	1	/P	Gasket-Float Bowl
146	BS-690979	1	/P	Key-Timing
155	BS-698214	1		Plate-Cylinder Head
161	BS-699207	1		Base-Air Cleaner (Flat Panel Air Cleaner)
161A	BS-790631	1		Base-Air Cleaner (Ultra Low Air Cleaner)
163	BS-696024	1		Gasket-Air Cleaner(Flat Panel Air Cleaner)
163A	BS-792870	1		Gasket-Air Cleaner (High Mount)
170	BS-699818	1		Stud (Crankcase Cover)
186	BS-692317	1	/P	Connector-Hose
187	BS-791766	1	S	Line-Fuel (Cut to Required Length)
187A	BS-791867	1		Line-Fuel (Molded)
187B	BS-791874	1		Line-Fuel (Molded)
187C	BS-791866	1		Line-Fuel (Molded)
188	BS-699479	1		Screw (Control Bracket)
190	BS-699220	1		Screw (Fuel Tank)
192	BS-694543	1	/P	Adjuster-Rocker Arm
209	BS-692571	1		Spring-Governor
209A	BS-691278	1		Spring-Governor
219	BS-693578	1		Gear-Governor
220	BS-691724	1		Washer (Governor Gear)
222	BS-699589	1		Bracket-Control (Used Before Code Date 06051500).
222C	BS-699590	1		Bracket-Control (Used Before Code Date 06051500).
222D	BS-793107	1		Bracket-Control (Used After Code Date 06051400).
222F	BS-793100	1		Bracket-Control (Used After Code Date 06051400).
227	BS-692573	1		Lever-Governor Control
238	BS-691300	1	/P	Valve-Cap
240	BS-298090S	1	/P	Filter-Fuel
240A	BS-694485	1		Filter-Fuel
265	BS-691024	1	/P	Clamp-Casing
267	BS-699492	1		Screw (Casing Clamp)
268	BS-691025	1		Casing-Control Wire (Cut to Required Length)

21AA412A090 (2008)
Engine Assembly 5

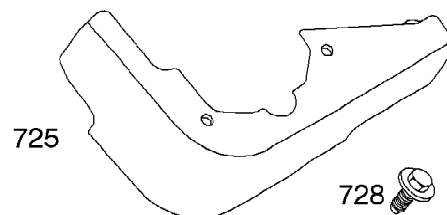
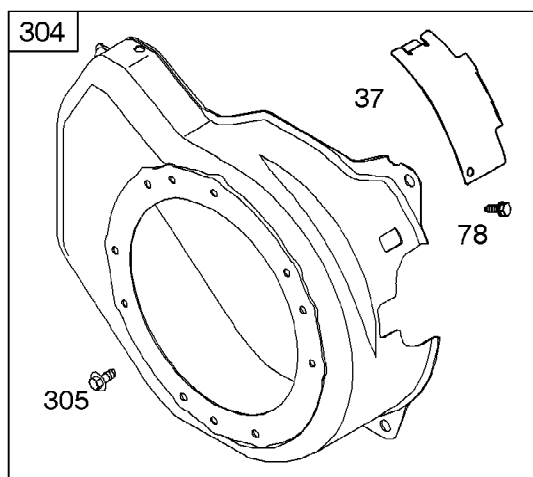
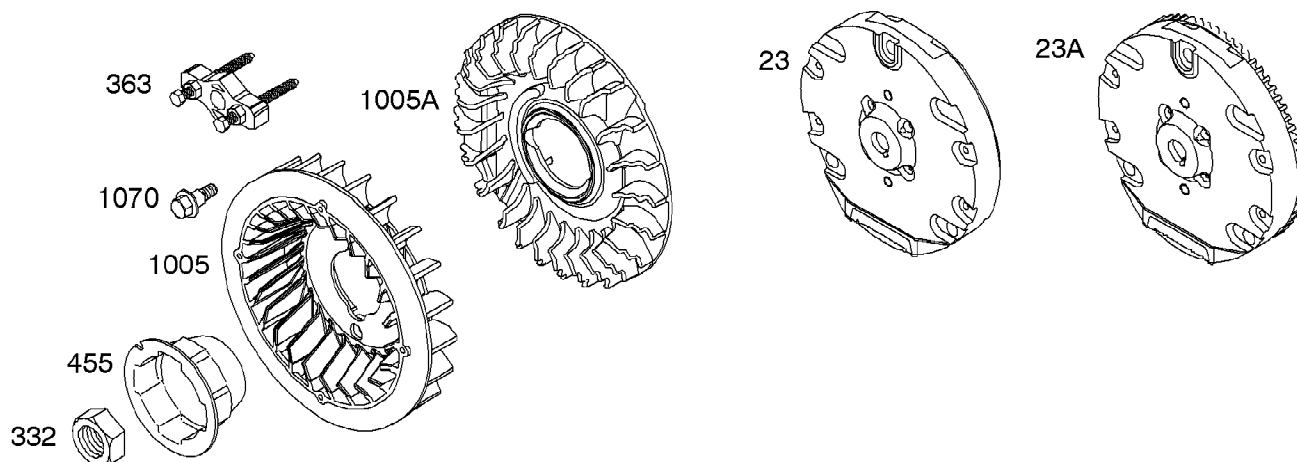
Page 39 of 58

Ref #	Part Number	Qty	S/P/F	Description
269	BS-691026	1		Wire-Control (Cut to Required Length)
270	BS-691027	1		Nut (Control Wire Casing)
271	BS-691028	1		Lever-Control
271A	BS-694256	1		Lever-Control
276	BS-271716	1		Washer-Sealing
281	BS-793122	1		Panel-Control
286	BS-698611	1		Module-Oil Sensor
287	BS-699629	1		Screw (Dipstick Tube)
300	BS-693593	1		Muffler
300A	BS-699231	1		Muffler
300E	BS-791595	1		Muffler
304	BS-699598	1		Housing-Blower
305	BS-699480	1	S	Screw (Blower Housing)
306	BS-693610	1		Shield-Cylinder
307	BS-699483	1		Screw (Cylinder Shield)
309	BS-694504	1		Motor-Starter
310	BS-690323	1		Screw (Starter Motor)
311	BS-497608	1		Brush Set
317	BS-695494	1		Cover-Starter
332	BS-79359	1		Nut (Flywheel)
333	BS-792723	1		Armature-Magneto
334	BS-699477	1		Screw (Magneto Armature)
337	759-3336	1	/P	Plug-Spark (Resistor)
337	BS-691043	1	/P	Plug-Spark (EMS)
347	BS-697854	1		Switch-Rocker
356	BS-693651	1		Wire-Stop
356A	BS-692390	1	/P	Wire-Stop
356B	BS-692602	1		Wire-Stop
356C	BS-695630	1		Wire-Stop
356D	BS-695283	1		Wire-Stop
356E	BS-695814	1		Wire-Stop
356F	BS-697397	1		Wire-Stop
358	BS-791797	1		Gasket Set-Engine
363	BS-19203	1		Puller-Flywheel
364	BS-695693	1		Terminal-Oil Plug
365	BS-699484	1		Screw (Carburetor)
383	BS-19374S	1		Wrench-Spark Plug
415	BS-693463	1		Plug
415A	BS-792749	1		Plug
425	BS-699208	1		Screw (Air Cleaner Cover)
425A	BS-699492	1		Screw (Air Cleaner Cover)
427	BS-694255	1		Nut(Control Bracket)
445	BS-491588S	1	/P	Filter-Air Cleaner Cartridge (Flat Panel)
445A	BS-697029	1	/P	Filter-Air Cleaner Cartridge (High Mount)
455	BS-692591	1		Cup-Flywheel
456	BS-692299	1		Plate-Pawl Friction
459	BS-281505S	1	/P	Pawl-Ratchet
467	BS-691668	1		Knob-Air Cleaner
474	BS-694457	1		Alternator
504	BS-694254	1		Washer Set-Friction
505	BS-691251	1		Nut (Governor Control Lever)
510	BS-499308	1		Drive-Starter
513	BS-692024	1		

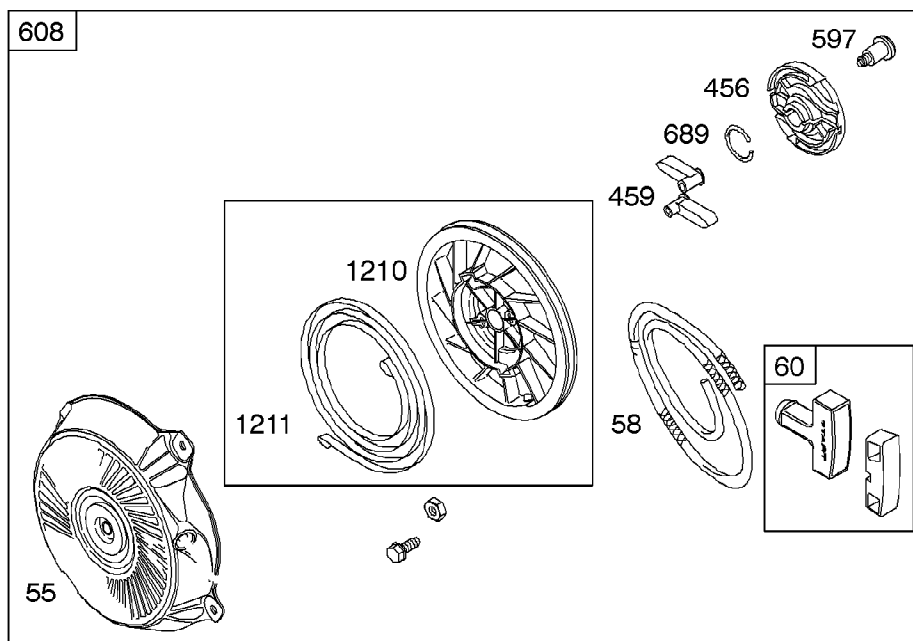
Ref #	Part Number	Qty	S/P/F	Description
523	BS-790546	1		Dipstick
524	BS-281370S	1	/P	Seal-Dipstick Tube
544	BS-692966	1		Armature-Starter
552	BS-692346	1		Bushing-Governor Crank
562	BS-691119	1		Bolt (Governor Control Lever)
575	BS-692303	1		Switch-Starting
597	BS-691696	1	/P	Screw (Pawl Friction Plate)
601	BS-791850	1	/P	Clamp-Hose
608	BS-693394	1		Starter-Rewind (Rewind Starter Parts Used With 3MM Diameter Starter Rope)
608	BS-791670	1		Starter-Rewind (Rewind Starter Parts Used With 5MM Diameter Starter Rope)
613	BS-699209	1	S	Screw (Muffler)
613A	BS-699480	1	S	Screw (Muffler)
613B	BS-697812	1		Screw (Muffler)
615	BS-692576	1		Retainer-Governor Shaft
616	BS-692547	1		Crank-Governor
619	BS-699480	1	S	Screw (Cylinder Head Plate)
621	BS-692310	1	/P	Switch-Stop
632	BS-693408	1		Spring/Link-Mechanical Governor
633	BS-693867	1		Seal-Choke/Throttle Shaft
633A	BS-691321	1		Seal-Choke/Throttle Shaft
635	BS-692076	1	/P	Boot-Spark Plug
635A	BS-692927	1		Boot-Spark Plug
652	BS-699755	1		Screw (Support Bracket)
652A	BS-699480	1	S	Screw (Support Bracket)
663	BS-699206	1		Screw (Control Panel)
668	BS-694257	1		Spacer
675	BS-691261	1		Washer (Brush Retainer)
676	BS-393757	1	S	Deflector-Muffler
676A	BS-697816	1		Deflector-Muffler
676B	BS-395700	1		Deflector-Muffler
677	BS-690661	1	/P	Screw (Muffler Deflector)
677A	BS-699776	1		Screw (Muffler Deflector)
689	BS-691855	1	/P	Spring-Friction
692	BS-690572	1	/P	Spring-Detent
697	BS-790537	1	/P	Screw (Starter Motor) (Used After Code Date 04110800).
697	BS-699773	1	S	Screw (Used Before Code Date 04110900).
717	BS-693462	1		Bracket-Air Cleaner
718	BS-690959	1	/P	Pin-Locating
725	BS-792874	1		Shield-Heat
727	BS-698039	1		Cover-Starter Drive
728	BS-699632	1		Screw (Heat Shield)
732	BS-699200	1		Screw (Starter Drive Cover)
741	BS-695087	1		Gear-Timing
742	BS-692564	1		Retainer-E Ring
746	BS-790278	1		Gear-Idler
773	BS-694258	1		Retainer
783	BS-692353	1		Gear-Pinion
792	BS-694259	1		Bracket-Fixed Speed

Ref #	Part Number	Qty	S/P/F	Description
797	BS-691029	1		Nut (Brush Retainer)
799	BS-699202	1		Screw (Oil Sensor)
801	BS-694482	1		Cap-Drive
802	BS-691286	1		Cap-End
803	BS-693757	1		Housing-Starter
819	BS-699233	1		Screw (Muffler Bracket)
823	BS-699209	1	S	Screw (Muffler Adapter)
830	BS-694544	1		Stud-Rocker Arm
832	BS-693583	1		Guard-Muffler
832A	BS-697818	1		Guard-Muffler
832B	BS-696516	1		Guard-Muffler
832D	BS-791600	1		Guard-Muffler
836	BS-699203	1		Screw (Muffler Guard)
836A	BS-699632	1		Screw (Muffler Guard)
836B	BS-699209	1	S	Screw (Muffler Guard)
836C	BS-699234	1		Screw (Muffler Guard)
836D	BS-699204	1		Screw (Muffler Guard)
836E	BS-699755	1		Screw (Muffler Guard)
842	BS-691031	1	/P	Seal-O Ring (Dipstick Tube)
843	BS-695588	1		Sleeve-Lever
847	BS-790545	1		Dipstick/Tube Assembly
851	BS-493880S	1	/P	Terminal-Spark Plug
863	BS-699229	1		Bracket-Muffler
864	BS-699232	1		Adapter-Muffler
868	BS-692044	1	/P	Seal-Valve
875	BS-697030	1		Base-Air Cleaner (High Mount)
883	BS-691893	1	/P	Gasket-Exhaust
883A	BS-692237	1	/P	Gasket-Exhaust (Adapter Mounting)
890	BS-790203	1		Bracket-Support
914	BS-699480	1	S	Screw (Rocker Cover) (Bottom)
914A	BS-692557	1		Screw (Rocker Cover) (Top)
914B	BS-697551	1		Screw (Rocker Cover) (Center)
951	BS-790630	1		Lever-Choke
957	BS-792647	1	/P	Cap-Fuel Tank
958	BS-698180	1		Valve-Fuel Shut Off
961	BS-698304	1		Screw (Air Cleaner Bracket)
967	BS-493537S	1	/P	Filter-Pre Cleaner (Flat Panel)
967A	BS-273356S	1	/P	Filter-Pre Cleaner (High Mount)
968	BS-692584	1		Cover-Air Cleaner (Flat Panel Air Cleaner)
968A	BS-693460	1		Cover-Air Cleaner (High Mount)
968B	BS-791082	1		Cover-Air Cleaner (Ultra Low Air Cleaner)
971	BS-690370	1		Screw (Air Cleaner Base)
971A	BS-690349	1		Screw (Air Cleaner Base)
971B	BS-699629	1		Screw (Air Cleaner Base)
972	BS-694260	1	/P	Tank-Fuel
975	BS-493640	1	S	Bowl-Float
977	BS-792007	1		Gasket Set-Carburetor
993	BS-694088	1	/P	Gasket-Cylinder Head Plate
994	BS-790153	1		Arrester-Spark
1005	BS-692592	1		Fan-Flywheel
1005A	BS-794273	1		Fan-Flywheel
1019	BS-694852	1		Kit-Label
1022	BS-691890	1		Parts Cover

Ref #	Part Number	Qty	S/P/F	Description
1023	BS-499924	1		Cover-Rocker Arm
1026	BS-790287	1		Rod-Push
1029	BS-691230	1	/P	Arm-Rocker
1034	BS-691343	1	/P	Guide-Push Rod
1036		1		Label-Emissions (Available From Briggs & Stratton)
1051	BS-691265	1		Ring-Retaining
1052	BS-790141	1		Sensor-Oil
1054	BS-280275	1		Cable-Tie
1070	BS-699201	1		Screw (Flywheel Fan)
1090	BS-691293	1		Retainer-Brush
1095	BS-791798	1		Gasket Set-Valve
1119	BS-699772	1		Screw (Alternator)
1172	BS-699230	1		Screw (Fixed Speed Bracket)
1210	BS-498144	1	/P	Pulley/Spring Assembly (Pulley) (Rewind Starter Parts Used With 3MM Diameter Starter Rope)
1210	BS-791849	1		Pulley/Spring Assembly (Pulley) (Rewind Starter Parts Used With 5MM Diameter Starter Rope)
1211	BS-498144	1	/P	Pulley/Spring Assembly (Spring) (Rewind Starter Parts Used With 3MM Diameter Starter Rope)
1211	BS-791849	1		Pulley/Spring Assembly (Spring) (Rewind Starter Parts Used With 5MM Diameter Starter Rope)
1217	BS-691075	1		Washer (Starting Switch)
1225	BS-696198	1		Nut (Starting Switch)
1305	BS-699691	1		Screw (Oil Sensor Module)
1319	BS-794467	1		Label-Warning



1036 EMISSIONS LABEL



Ref #	Part Number	Qty	S/P/F	Description
1	BS-699510	1		Cylinder Assembly
2	BS-399269	1	/P	Kit-Bushing/Seal (Magneto Side)
3	BS-299819S	1		Seal-Oil (Magneto Side)
5	BS-699486	1		Head-Cylinder
7	BS-698210	1		Gasket-Cylinder Head
11	BS-692600	1		Tube-Breather (Flat Panel Air Cleaner)
11A	BS-693647	1		Tube-Breather (High Mount Air Cleaner)
11B	BS-790632	1		Tube-Breather (Ultra Low Air Cleaner)
12	BS-699485	1		Gasket-Crankcase
13	BS-699482	1		Screw (Cylinder Head)
15	BS-691686	1	/P	Plug-Oil Drain (Square Head)
15C	BS-792750	1		Plug-Oil Drain
16	BS-699445	1		Crankshaft
16	BS-699449	1		Crankshaft
17	BS-692517	1	/P	Bearing-Ball
17B	BS-99158	1		Bearing-Ball
18	BS-699804	1		Cover-Crankcase
20	BS-692550	1		Seal-Oil (PTO Side)
21	BS-281658S	1	/P	Cap-Oil Fill
22	BS-699478	1		Screw (Crankcase Cover/Sump)
23	BS-699488	1		Flywheel
24	BS-222698S	1	/P	Key-Flywheel
25	BS-791968	1		Piston Assembly (Standard)
25	BS-791326	1		Piston Assembly (.020" Oversize)
26	BS-791969	1		Ring Set (Standard) (Used After Code 05030800).
26	BS-499631	1		Ring Set (Standard) (Used Before Code Date 05030900).
26	BS-791324	1		Ring Set (.020" Oversize) (Used After Code 05030800).
26	BS-692786	1		Ring Set (.020" Oversize) (Used Before Code Date 05030900).
27	BS-691866	1	/P	Lock-Piston Pin
28	BS-499423	1		Pin-Piston
29	BS-690124	1		Rod-Connecting
30	BS-791584	1		Dipper-ConnectingRod
32	BS-691664	1		Screw (Connecting Rod)
32A	BS-695759	1		Screw (Connecting Rod)
33	BS-499642	1		Valve-Exhaust
34	BS-499641	1	S	Valve-Intake
35	BS-691304	1		Spring-Valve (Intake)
36	BS-691304	1		Spring-Valve (Exhaust)
37	BS-699661	1		Guard-Flywheel
40	BS-692194	1		Retainer-Valve
45	BS-690977	1	/P	Tappet-Valve
46	BS-693404	1		Camshaft
51	BS-692555	1		Gasket-Intake
55	BS-691422	1		Housing-Rewind Starter (Rewind Starter Parts Used With 3MM Diameter Starter Rope)

Ref #	Part Number	Qty	S/P/F	Description
55	BS-791848	1		Housing-Rewind Starter (Rewind Starter Parts Used With 5MMDiameter Starter Rope)
58	BS-693389	1		Rope-Starter (Rewind Starter Parts Used With 3MM Diameter Starter Rope)
	BS-66574	1		Rope-Starter (Rewind Starter Parts Used With 5MMDiameter Starter Rope)
60	BS-490652	1		Grip-Starter Rope (2 Piece)
60A	BS-281434S	1	/P	Grip-Starter Rope
65	BS-699228	1		Screw (Rewind Starter)
78	BS-699205	1		Screw (Flywheel Guard)
79	BS-694511	1		Case-Gear Reduction (Used Before Code Date 06051700).
79A	BS-792746	1		Case-Gear Reduction (Used After Code Date 06051600).
80	BS-792755	1		Gasket-Gear Case
82	BS-690369	1		Screw (Gear Reduction Case) (Used Before Code Date 06051700).
82A	BS-790197	1		Screw (Gear Reduction Case) (Used Before Code Date 06051700).
82B	BS-792753	1		Screw (Gear Reduction Case) (Used After Code Date 06051600).
83	BS-690374	1		Shaft-Auxiliary Drive (Used Before Code Date 06051700).
83A	BS-792756	1		Shaft-Auxiliary Drive (Used After Code Date 06051600).
84	BS-691121	1		Plug-Breather
84A	BS-792759	1		Plug-Breather
85	BS-692551	1		Screw (Gear Cover to Gear Reduction) (Used Before Code Date 06051700).
85A	BS-690711	1		Screw (Gear Cover to Gear Reduction) (Used After Code Date 06051600).
86	BS-690608	1		Cover-Gear (Used Before Code Date 06051700).
86A	BS-792748	1		Cover-Gear (Used After Code Date 06051600).
87	BS-691582	1		Seal-Gear Reduction (Used Before Code Date 06051700).
87A	BS-792752	1		Seal-Gear Reduction (Used After Code Date 06051600).
88	BS-691600	1		Gasket-Gear Reduction Cover
88A	BS-792760	1		Gasket-Gear Reduction Cover
95	BS-691636	1	/P	Screw (Throttle Valve)
97	BS-690024	1		Shaft-Throttle
98	BS-398185	1		Kit-Idle Speed (Carburetor)
104	BS-691242	1	/P	Pin-Float Valve

Ref #	Part Number	Qty	S/P/F	Description
108	BS-692567	1		Valve-Choke
109	BS-690023	1		Shaft-Choke
109A	BS-693628	1		Shaft-Choke
109C	BS-790624	1		Shaft-Choke
117	BS-498978	1		Jet-Main (Standard)
118	BS-498975	1		Jet-Main (High Altitude)
121	BS-696998	1		Kit-Carburetor Overhaul
122	BS-693749	1		Spacer-Carburetor
125	BS-791077	1	/P	Carburetor
127	BS-691739	1		Plug-Welch
127A	BS-691585	1		Plug-Welch
130	BS-691181	1		Valve-Throttle
133	BS-398187	1		Float-Carburetor
134	BS-398188	1	/P	Kit-Needle/Seat
137	BS-693981	1	/P	Gasket-Float Bowl
146	BS-690979	1	/P	Key-Timing
155	BS-698214	1		Plate-Cylinder Head
161	BS-699207	1		Base-Air Cleaner (Flat Panel Air Cleaner)
161A	BS-790631	1		Base-Air Cleaner (Ultra Low Air Cleaner)
163	BS-696024	1		Gasket-Air Cleaner(Flat Panel Air Cleaner)
163A	BS-792870	1		Gasket-Air Cleaner (High Mount)
170	BS-699818	1		Stud (Crankcase Cover)
186	BS-692317	1	/P	Connector-Hose
187	BS-791766	1	S	Line-Fuel (Cut to Required Length)
187A	BS-791867	1		Line-Fuel (Molded)
187B	BS-791874	1		Line-Fuel (Molded)
187C	BS-791866	1		Line-Fuel (Molded)
188	BS-699479	1		Screw (Control Bracket)
190	BS-699220	1		Screw (Fuel Tank)
192	BS-694543	1	/P	Adjuster-Rocker Arm
209	BS-692571	1		Spring-Governor
209A	BS-691278	1		Spring-Governor
219	BS-693578	1		Gear-Governor
220	BS-691724	1		Washer (Governor Gear)
222	BS-699589	1		Bracket-Control (Used Before Code Date 06051500).
222C	BS-699590	1		Bracket-Control (Used Before Code Date 06051500).
222D	BS-793107	1		Bracket-Control (Used After Code Date 06051400).
222F	BS-793100	1		Bracket-Control (Used After Code Date 06051400).
227	BS-692573	1		Lever-Governor Control
238	BS-691300	1	/P	Valve-Cap
240	BS-298090S	1	/P	Filter-Fuel
240A	BS-694485	1		Filter-Fuel
265	BS-691024	1	/P	Clamp-Casing
267	BS-699492	1		Screw (Casing Clamp)
268	BS-691025	1		Casing-Control Wire (Cut to Required Length)

21AA412A090 (2008)
Engine Assembly 6

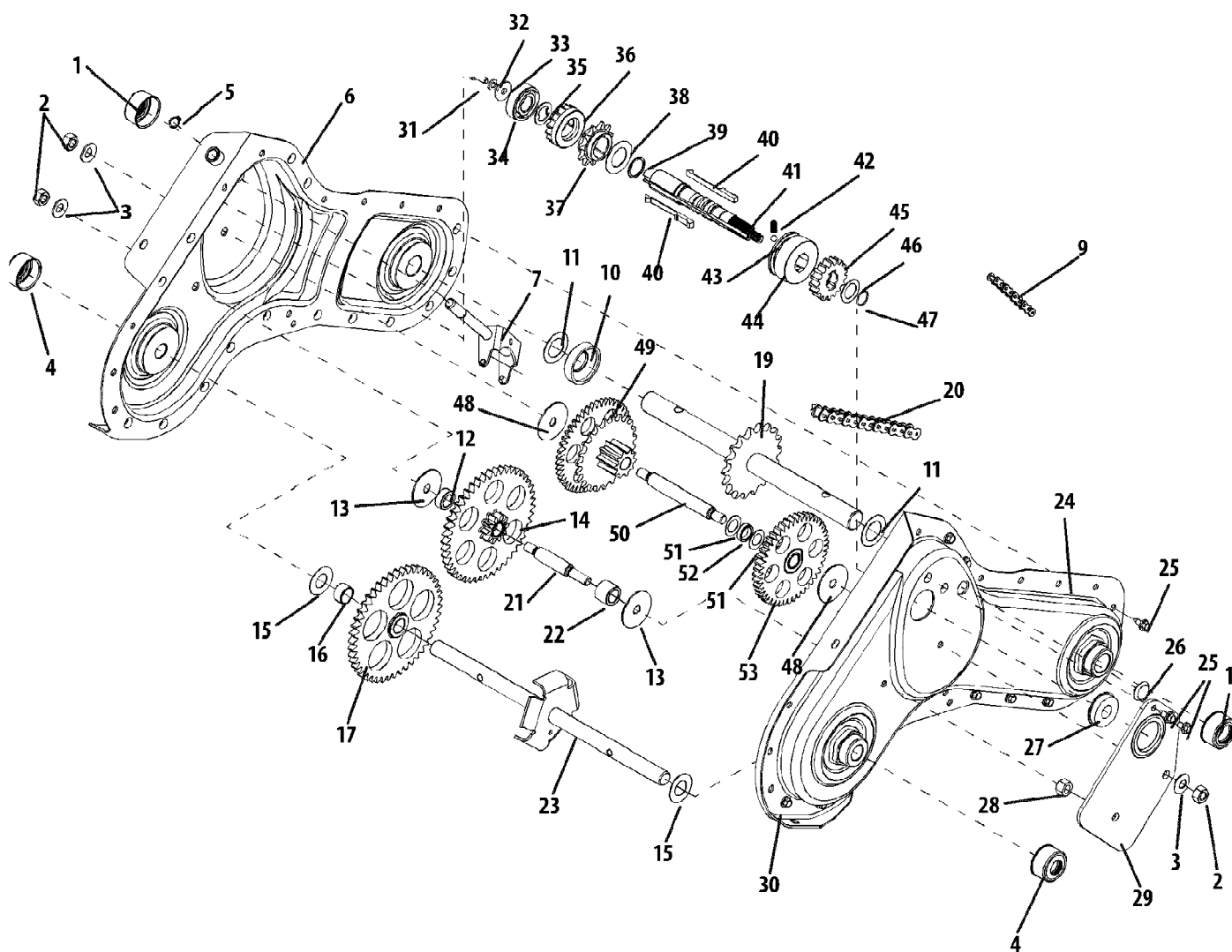
Page 47 of 58

Ref #	Part Number	Qty	S/P/F	Description
269	BS-691026	1		Wire-Control (Cut to Required Length)
270	BS-691027	1		Nut (Control Wire Casing)
271	BS-691028	1		Lever-Control
271A	BS-694256	1		Lever-Control
276	BS-271716	1		Washer-Sealing
281	BS-793122	1		Panel-Control
286	BS-698611	1		Module-Oil Sensor
287	BS-699629	1		Screw (Dipstick Tube)
300	BS-693593	1		Muffler
300A	BS-699231	1		Muffler
300E	BS-791595	1		Muffler
304	BS-699598	1		Housing-Blower
305	BS-699480	1	S	Screw (Blower Housing)
306	BS-693610	1		Shield-Cylinder
307	BS-699483	1		Screw (Cylinder Shield)
309	BS-694504	1		Motor-Starter
310	BS-690323	1		Screw (Starter Motor)
311	BS-497608	1		Brush Set
317	BS-695494	1		Cover-Starter
332	BS-79359	1		Nut (Flywheel)
333	BS-792723	1		Armature-Magneto
334	BS-699477	1		Screw (Magneto Armature)
337	759-3336	1	/P	Plug-Spark (Resistor)
337	BS-691043	1	/P	Plug-Spark (EMS)
347	BS-697854	1		Switch-Rocker
356	BS-693651	1		Wire-Stop
356A	BS-692390	1	/P	Wire-Stop
356B	BS-692602	1		Wire-Stop
356C	BS-695630	1		Wire-Stop
356D	BS-695283	1		Wire-Stop
356E	BS-695814	1		Wire-Stop
356F	BS-697397	1		Wire-Stop
358	BS-791797	1		Gasket Set-Engine
363	BS-19203	1		Puller-Flywheel
364	BS-695693	1		Terminal-Oil Plug
365	BS-699484	1		Screw (Carburetor)
383	BS-19374S	1		Wrench-Spark Plug
415	BS-693463	1		Plug
415A	BS-792749	1		Plug
425	BS-699208	1		Screw (Air Cleaner Cover)
425A	BS-699492	1		Screw (Air Cleaner Cover)
427	BS-694255	1		Nut(Control Bracket)
445	BS-491588S	1	/P	Filter-Air Cleaner Cartridge (Flat Panel)
445A	BS-697029	1	/P	Filter-Air Cleaner Cartridge (High Mount)
455	BS-692591	1		Cup-Flywheel
456	BS-692299	1		Plate-Pawl Friction
459	BS-281505S	1	/P	Pawl-Ratchet
467	BS-691668	1		Knob-Air Cleaner
474	BS-694457	1		Alternator
504	BS-694254	1		Washer Set-Friction
505	BS-691251	1		Nut (Governor Control Lever)
510	BS-499308	1		Drive-Starter
513	BS-692024	1		

Ref #	Part Number	Qty	S/P/F	Description
523	BS-790546	1		Dipstick
524	BS-281370S	1	/P	Seal-Dipstick Tube
544	BS-692966	1		Armature-Starter
552	BS-692346	1		Bushing-Governor Crank
562	BS-691119	1		Bolt (Governor Control Lever)
575	BS-692303	1		Switch-Starting
597	BS-691696	1	/P	Screw (Pawl Friction Plate)
601	BS-791850	1	/P	Clamp-Hose
608	BS-693394	1		Starter-Rewind (Rewind Starter Parts Used With 3MM Diameter Starter Rope)
608	BS-791670	1		Starter-Rewind (Rewind Starter Parts Used With 5MM Diameter Starter Rope)
613	BS-699209	1	S	Screw (Muffler)
613A	BS-699480	1	S	Screw (Muffler)
613B	BS-697812	1		Screw (Muffler)
615	BS-692576	1		Retainer-Governor Shaft
616	BS-692547	1		Crank-Governor
619	BS-699480	1	S	Screw (Cylinder Head Plate)
621	BS-692310	1	/P	Switch-Stop
632	BS-693408	1		Spring/Link-Mechanical Governor
633	BS-693867	1		Seal-Choke/Throttle Shaft
633A	BS-691321	1		Seal-Choke/Throttle Shaft
635	BS-692076	1	/P	Boot-Spark Plug
635A	BS-692927	1		Boot-Spark Plug
652	BS-699755	1		Screw (Support Bracket)
652A	BS-699480	1	S	Screw (Support Bracket)
663	BS-699206	1		Screw (Control Panel)
668	BS-694257	1		Spacer
675	BS-691261	1		Washer (Brush Retainer)
676	BS-393757	1	S	Deflector-Muffler
676A	BS-697816	1		Deflector-Muffler
676B	BS-395700	1		Deflector-Muffler
677	BS-690661	1	/P	Screw (Muffler Deflector)
677A	BS-699776	1		Screw (Muffler Deflector)
689	BS-691855	1	/P	Spring-Friction
692	BS-690572	1	/P	Spring-Detent
697	BS-790537	1	/P	Screw (Starter Motor) (Used After Code Date 04110800).
697	BS-699773	1	S	Screw (Used Before Code Date 04110900).
717	BS-693462	1		Bracket-Air Cleaner
718	BS-690959	1	/P	Pin-Locating
725	BS-792874	1		Shield-Heat
727	BS-698039	1		Cover-Starter Drive
728	BS-699632	1		Screw (Heat Shield)
732	BS-699200	1		Screw (Starter Drive Cover)
741	BS-695087	1		Gear-Timing
742	BS-692564	1		Retainer-E Ring
746	BS-790278	1		Gear-Idler
773	BS-694258	1		Retainer
783	BS-692353	1		Gear-Pinion
792	BS-694259	1		Bracket-Fixed Speed

Ref #	Part Number	Qty	S/P/F	Description
797	BS-691029	1		Nut (Brush Retainer)
799	BS-699202	1		Screw (Oil Sensor)
801	BS-694482	1		Cap-Drive
802	BS-691286	1		Cap-End
803	BS-693757	1		Housing-Starter
819	BS-699233	1		Screw (Muffler Bracket)
823	BS-699209	1	S	Screw (Muffler Adapter)
830	BS-694544	1		Stud-Rocker Arm
832	BS-693583	1		Guard-Muffler
832A	BS-697818	1		Guard-Muffler
832B	BS-696516	1		Guard-Muffler
832D	BS-791600	1		Guard-Muffler
836	BS-699203	1		Screw (Muffler Guard)
836A	BS-699632	1		Screw (Muffler Guard)
836B	BS-699209	1	S	Screw (Muffler Guard)
836C	BS-699234	1		Screw (Muffler Guard)
836D	BS-699204	1		Screw (Muffler Guard)
836E	BS-699755	1		Screw (Muffler Guard)
842	BS-691031	1	/P	Seal-O Ring (Dipstick Tube)
843	BS-695588	1		Sleeve-Lever
847	BS-790545	1		Dipstick/Tube Assembly
851	BS-493880S	1	/P	Terminal-Spark Plug
863	BS-699229	1		Bracket-Muffler
864	BS-699232	1		Adapter-Muffler
868	BS-692044	1	/P	Seal-Valve
875	BS-697030	1		Base-Air Cleaner (High Mount)
883	BS-691893	1	/P	Gasket-Exhaust
883A	BS-692237	1	/P	Gasket-Exhaust (Adapter Mounting)
890	BS-790203	1		Bracket-Support
914	BS-699480	1	S	Screw (Rocker Cover) (Bottom)
914A	BS-692557	1		Screw (Rocker Cover) (Top)
914B	BS-697551	1		Screw (Rocker Cover) (Center)
951	BS-790630	1		Lever-Choke
957	BS-792647	1	/P	Cap-Fuel Tank
958	BS-698180	1		Valve-Fuel Shut Off
961	BS-698304	1		Screw (Air Cleaner Bracket)
967	BS-493537S	1	/P	Filter-Pre Cleaner (Flat Panel)
967A	BS-273356S	1	/P	Filter-Pre Cleaner (High Mount)
968	BS-692584	1		Cover-Air Cleaner (Flat Panel Air Cleaner)
968A	BS-693460	1		Cover-Air Cleaner (High Mount)
968B	BS-791082	1		Cover-Air Cleaner (Ultra Low Air Cleaner)
971	BS-690370	1		Screw (Air Cleaner Base)
971A	BS-690349	1		Screw (Air Cleaner Base)
971B	BS-699629	1		Screw (Air Cleaner Base)
972	BS-694260	1	/P	Tank-Fuel
975	BS-493640	1	S	Bowl-Float
977	BS-792007	1		Gasket Set-Carburetor
993	BS-694088	1	/P	Gasket-Cylinder Head Plate
994	BS-790153	1		Arrester-Spark
1005	BS-692592	1		Fan-Flywheel
1005A	BS-794273	1		Fan-Flywheel
1019	BS-694852	1		Kit-Label
1022	BS-691890	1		Parts Cover

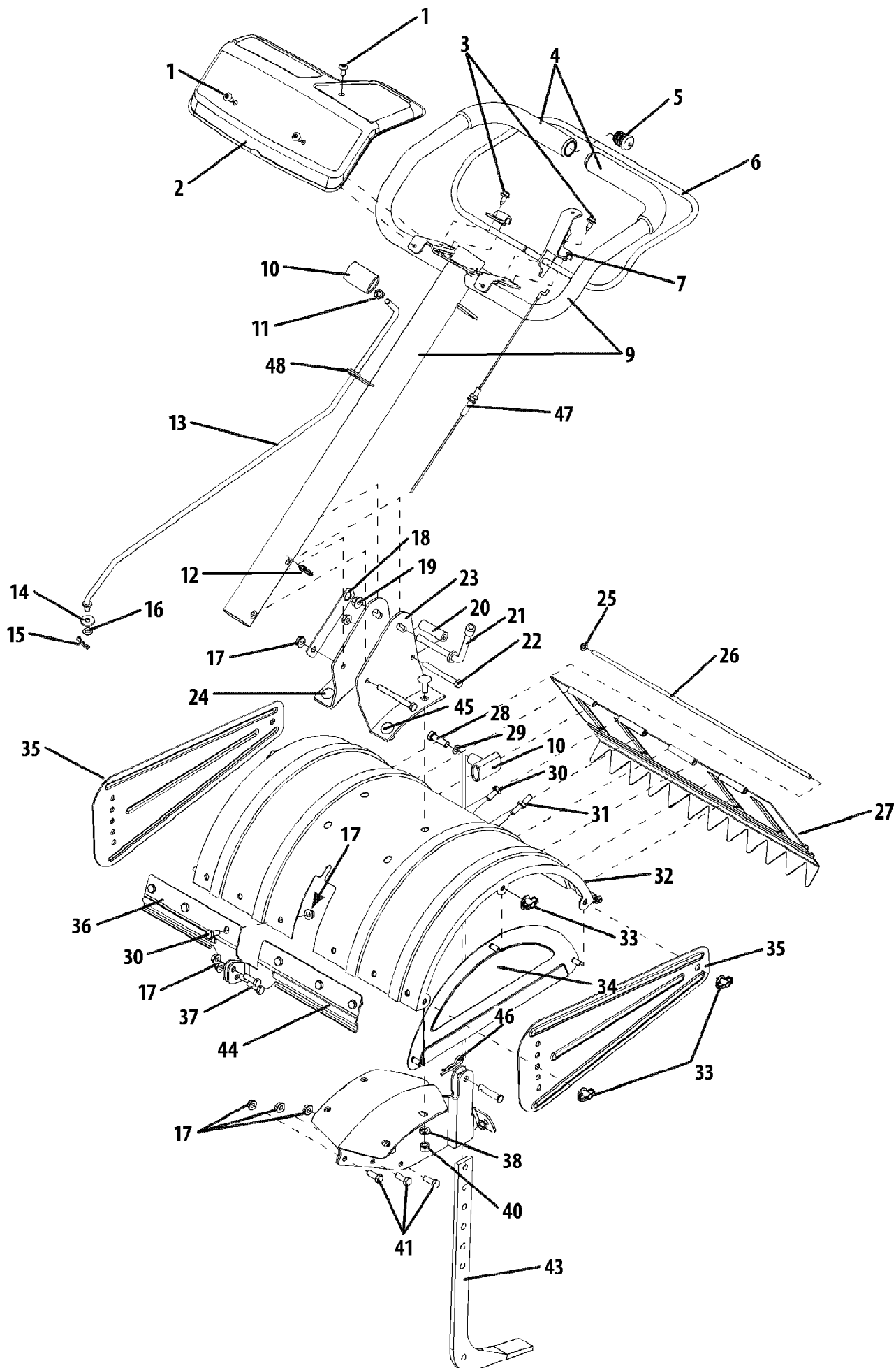
Ref #	Part Number	Qty	S/P/F	Description
1023	BS-499924	1		Cover-Rocker Arm
1026	BS-790287	1		Rod-Push
1029	BS-691230	1	/P	Arm-Rocker
1034	BS-691343	1	/P	Guide-Push Rod
1036		1		Label-Emissions (Available From Briggs & Stratton)
1051	BS-691265	1		Ring-Retaining
1052	BS-790141	1		Sensor-Oil
1054	BS-280275	1		Cable-Tie
1070	BS-699201	1		Screw (Flywheel Fan)
1090	BS-691293	1		Retainer-Brush
1095	BS-791798	1		Gasket Set-Valve
1119	BS-699772	1		Screw (Alternator)
1172	BS-699230	1		Screw (Fixed Speed Bracket)
1210	BS-498144	1	/P	Pulley/Spring Assembly (Pulley) (Rewind Starter Parts Used With 3MM Diameter Starter Rope)
1210	BS-791849	1		Pulley/Spring Assembly (Pulley) (Rewind Starter Parts Used With 5MM Diameter Starter Rope)
1211	BS-498144	1	/P	Pulley/Spring Assembly (Spring) (Rewind Starter Parts Used With 3MM Diameter Starter Rope)
1211	BS-791849	1		Pulley/Spring Assembly (Spring) (Rewind Starter Parts Used With 5MM Diameter Starter Rope)
1217	BS-691075	1		Washer (Starting Switch)
1225	BS-696198	1		Nut (Starting Switch)
1305	BS-699691	1		Screw (Oil Sensor Module)
1319	BS-794467	1		Label-Warning



21AA412A090 (2008)
Gear Case 410

Page 52 of 58

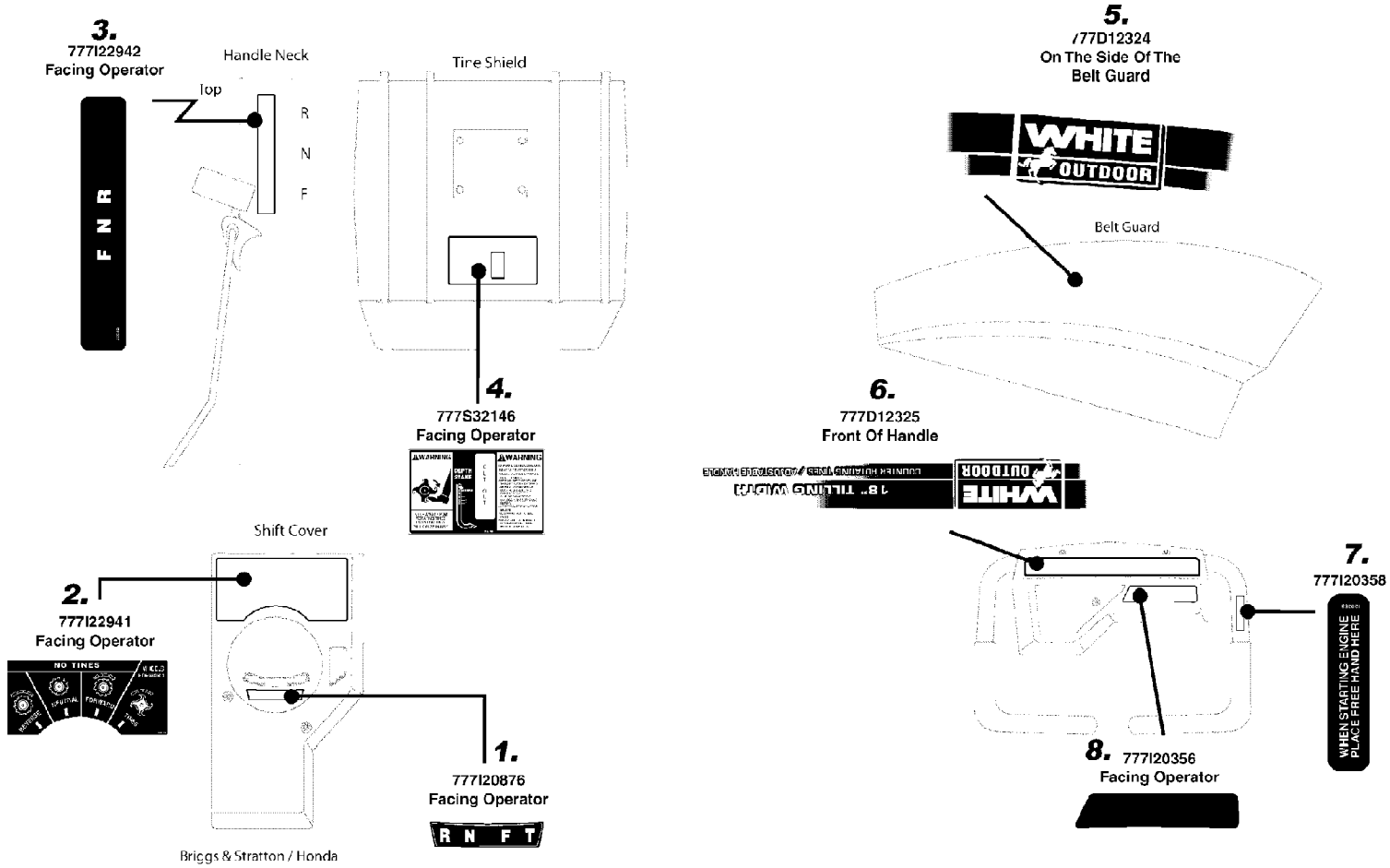
Ref #	Part Number	Qty	S/P/F	Description
1	721-0378	1	S	Shaft Seal, 1.0 Dia
2	712-0378	1	/P	Hex Nut, 7/16-20
3	736-0407	1		Bell Washer, .45 ID x 1.0 OD
4	721-0379	1	/P	Shaft Seal, .75 Dia
5	716-0865	1	/P	Snap Ring, .50 Dia
6	686-0038	1		Gear Case Assembly, Right Half
7	618-0245B	1	/P	Shift Assembly
9	713-0233	1	/P	Chain, #41 1/2" Pitch x 30 Links
10	750-0570	1	S	Space, 1.0 ID x 2.0 OD
11	736-0163	1	S	Thrust Washer, 1.03 ID x 1.62 OD
12	750-0936	1	S	Spacer, .635 ID x 1.0 OD
13	736-0518	1		Thrust Washer, .445 ID x 1.92 OD
14	617-0004	1	S	Idler Gear Assembly
15	736-0351	1	S	Flat Washer, .760 ID x 1.50 OD
16	750-0938	1	S	Spacer, .735 ID x.886 OD
17	717-1458	1		Spur Gear, 46T
19	611-0021	1	/P	Tine Shaft Assembly, 18T
20	713-0226	1	S	Chain, #50 5/8" Pitch x 52 Links
21	738-0885	1		Jack Shaft, 5/8 Dia. X. 2.06 Lg
22	750-0935	1		Spacer, .635 ID x 1.0 OD
23	611-04073	1		Wheel Shaft Assembly
24	686-0039	1	S	Gear Case Assembly, Left Half
25	710-0896	1	/P	Hex Washer Screw, 1/4-14 x.625
26	726-0331	1		Plug
27	741-0563	1	S	Ball Bearing w/Snap Ring
28	712-3067	1	/P	Hex Patch Lock Nut, 7/16-20
29	786-0086	1	S	Reinforcement Bracket
30	721-0295	1		Chain Case Gasket
31	710-0258	1	S	Hex Cap Screw, 1/4-20 x.625
32	736-0329	1	S	Lock Washer, 1/4
33	736-0512	1		Flat Washer, .281 ID x.875 OD
34	741-0124	1	S	Ball Bearing
35	736-0541	1	S	Flat Washer
36	717-1451A	1	/P	Spur Gear, 16T
37	713-0435	1		Sprocket, 11T #41 Chain
38	736-0265	1	/P	Flat Washer, .88 ID x 1.50 OD
39	716-0235	1	S	Retainer Ring
40	718-0237	1	S	Clutch Key
41	711-1087	1		Drive Shaft
42	732-0863	1	S	Compression Spring
43	741-0862	1	/P	Detent Ball
44	718-0234	1		Clutch Collar
45	717-1409	1		Spur Gear, 17T
46	736-0442	1		Flat Washer, .69 ID x 1.06 OD
47	732-0614	1		Wire Ring
48	736-0518	1		Thrust Washer, .445 ID x 1.9 OD
49	611-0016	1	S	Intermediate Gear Assembly
50	738-0884	1		Jack Shaft
51	736-0336	1	S	Flat Washer, .625 ID x 1.0 OD
52	750-0931	1		Spacer, .635 ID x.86 OD
53	617-0003	1	S	Tine Drive Assembly
	686-04073	1	S	Complete Gear Case Assembly Not shown



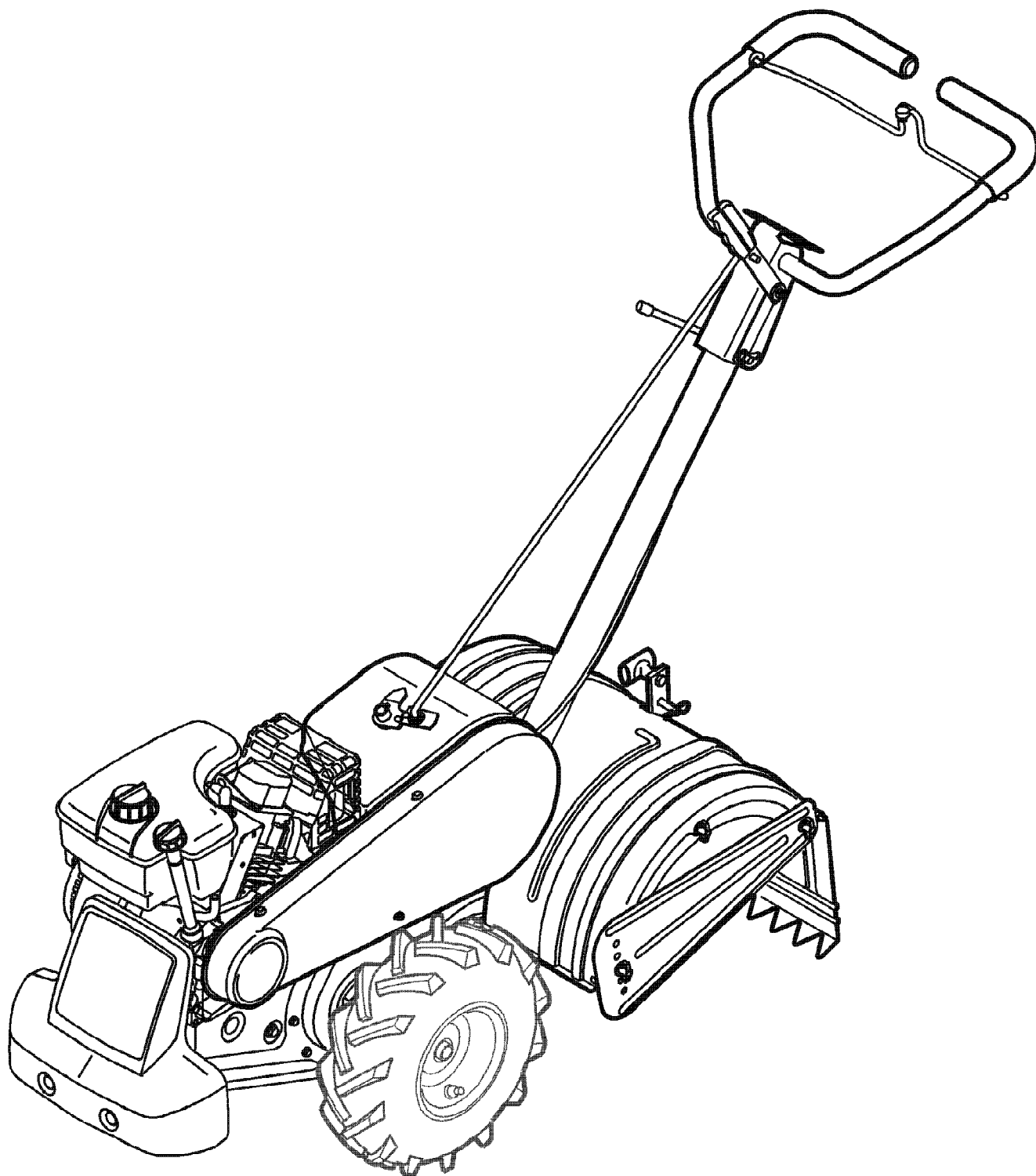
21AA412A090 (2008)
Handle & Tine Shield 410

Page 54 of 58

Ref #	Part Number	Qty	S/P/F	Description
1	710-1017	1	/P	Tap Screw, 1/4-14 x.625
2	786-0131	1		Handle Cover w/o Throttle
3	710-0896	1	/P	Hex Washer Screw, 1/4-14 x.625
4	720-0278A	1	/P	Foam Grip
5	735-0246A	1		End Plug
6	647-0014	1		Clutch Control Assembly
7	786-0118	1	S	Return Bracket, Left
8	786-0098	1	S	Return Bracket, Right
9	649-0017	1	/P	Handle Assembly
10	720-0210A	1	/P	Knob
11	712-3008	1	S	Jam Nut, 3/8-16
12	726-0330	1		Cable Clip
13	747-0902	1		Shift Control
14	735-0127	1	/P	Rubber Washer, .33 ID x.87 OD
15	714-0104	1	S	Cotter Pin
16	736-0204	1	/P	Flat Washer, .344 ID x.62 OD
17	712-04063	1	/P	Hex Flange Lock Nut,5/16-18
18	784-0191	1		Retainer Bracket
19	712-0379	1	/P	Flange Lock Nut, 3/8-24
20	750-0885A	1	/P	Spacer, .322 ID x.625 OD
21	784-0190	1		Handle Adjustment Crank
22	710-0189	1	/P	Hex Screw,5/16-18 x 3.0
23	786-0109	1		Handle Mounting Bracket, Left
24	786-0108	1		Handle Mounting Bracket, Right
25	726-0106	1	S	Cap Nut
26	747-0432	1		Rod
27	786-0113A	1	/P	Rear Tine Shield Flap
28	710-3005	1	/P	Hex Cap Screw, 3/8-16 x 1.25
29	736-0117	1	S	Flat Washer, .375 ID x.620 OD
30	710-3008	1	/P	Hex Cap Screw, 5/16-18 x.75
31	738-0849	1	S	Hex Screw, 5/16-18 x.75
2	786-0085	1		Tine Shield
33	712-0421	1		Wing Nut
34	686-0044B	1	/P	End Cover Assembly
35	786-0090	1		Side Shield
36	786-0076	1	S	Shield Bracket, Right
37	710-0376	1	/P	Hex Cap Screw, 5/16-18 x 1.0
38	736-0169	1	S	Lock Washer,3/8
39	711-0415	1	S	Clevis Pin
40	712-3017	1	S	Hex Nut, 3/8 -16
41	710-3038	1	/P	Hex Cap Screw,5/16-18 x.875
42	686-0043A	1	/P	Tine Shield Bracket Assembly
43	786-0120	1	S	Depth Stake
44	786-0077	1	S	Shield Bracket, Left
45	710-3097	1		Carriage Bolt 3/8-16 x 1.0
46	714-0147	1		Cotter Pin
47	746-0916	1	S	Clutch Cable
48	731-1706	1		Rod Control Bushing



Ref #	Part Number	Qty	S/P/F	Description
1	777I20876	1		LABEL-INDICATOR TI
2	777I22941	1		LABEL-TILLER SHAFT COVER
3	777I22942	1		LABEL-TILLER 410 HANDLE F-N-R
4	777S32146	1		LABEL-TINE SHIELD
5	777D12324	1		LABEL-TILLER 410 BELT GUARD WHITE
6	777D12325	1		LABEL-TILLER 410 HANDLE PANEL
7	777I20358	1		LABEL-PLACE HAND HERE
8	777I20356	1		LABEL



Ref #	Part Number	Qty	S/P/F	Description
	759-3336	1	/P	Spark Plug
	BS-493537S	1	/P	Pre Filter
	BS-697029	1	/P	Air Filter
	694261	1		Fuel Cap
	954-0438	1	/P	Drive Belt (FWD)
	NA	1		Drive Belt (REV)
	746-0916	1	S	Clutch Cable (FWD)
	NA	1		Clutch Cable (REV)
	642-0015-0637	1	/P	Tines-Outer (LH)
	642-0016-0637	1	/P	Tines-Outer (RH)
	NA	1		Tines-Inner (LH)
	NA	1		Tines-Inner (RH)
	NA	1		Rim
	734-1796-0901	1	/P	Tire
	934-04233	1	/P	Wheel Assembly
	720-0278A	1	/P	Foam Grip
	720-0210A	1	/P	Handle Knob